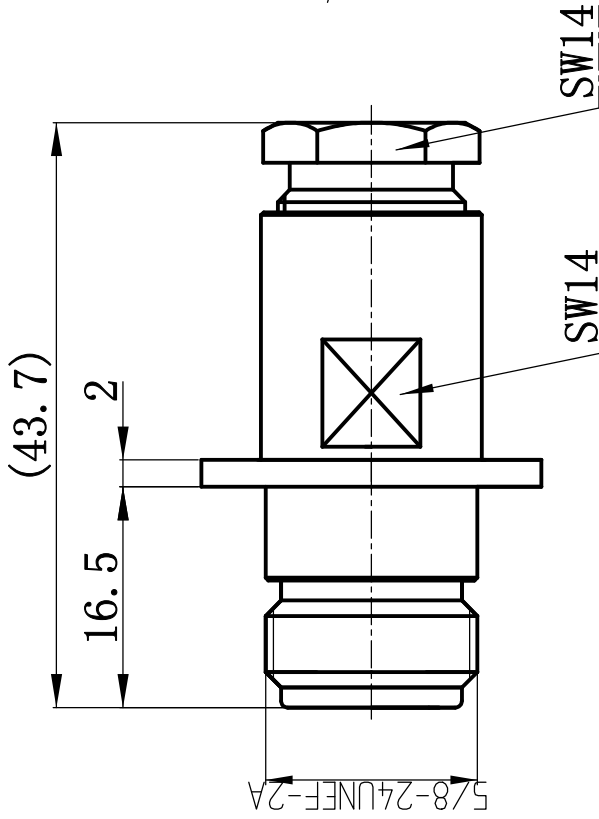


This document contains proprietary information and such information may not be disclosed to others for any purposes, not used for sales/marketing/procurement purposes without written permission

REV	DESCRIPTION OF REVISION	ECN NO.	BY	DATE	APPROVED
A	Initial Release		T. Shihua	07/04/16	07/04/16

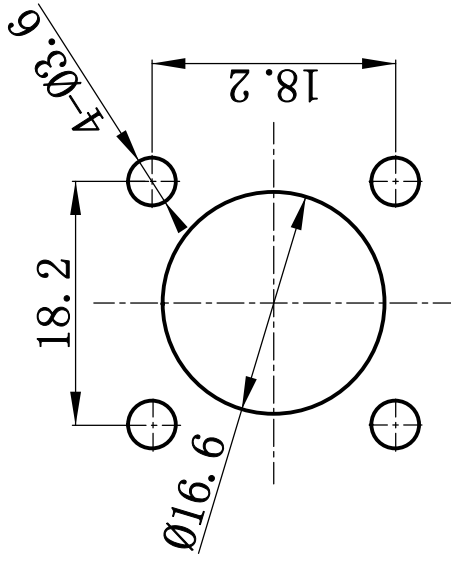
Recommended Mounting Hole



- 1 Electrical
- 11 Impedance 50Ω
 - 12 Frequency 0~6GHz
 - 13 Dielectric withstanding voltage 1500V (Volts RMS)
 - 14 Center contact resistance $\leq 1M\Omega$
 - 15 Outer contact resistance $\leq 0.2M\Omega$
 - 16 Insulation resistance: $\geq 5000M\Omega$

- 2 Environmental & Mechanical
- 2.1 Temperature range -45°C~125°C
 - 2.2 RoHS Compliant
 - 2.3 Durability >500 cycles

- 3 Materials & plating
- 3.1 Body: Brass, nickel plated
 - 3.2 Insulator: Teflon
 - 3.3 Contact Pin: Bronze, Gold plated
 - 3.4 O-Ring: Silicon Rubber



Notes:

1. ALL SPECIFICATIONS ARE SUBJECT TO CHANGE NOTICE AT ANY TIME
2. CUSTOMER OUTLINE DRAWING FOR REFERENCE ONLY

DRAWN: T. Shihua 07/04/16

ENGINEER: C. Tao 07/04/16

APPROVED: W. Qiang 07/04/16

TOLEANCES UNLESS OTHERWISE SPECIFIED
 X +0.50
 .X +0.20
 .XX +0.10
 ANGLES °'

TITLE:

RF Coaxial Connector

N female Flange Conn. For RG58 Cable

PART NO: N-RF5A



www.trf-rf.com



DIMENSION IN MILLIMETERS (mm)

SIZE: A4

SCALE: N/A

SHEET: 1/1

REV: A