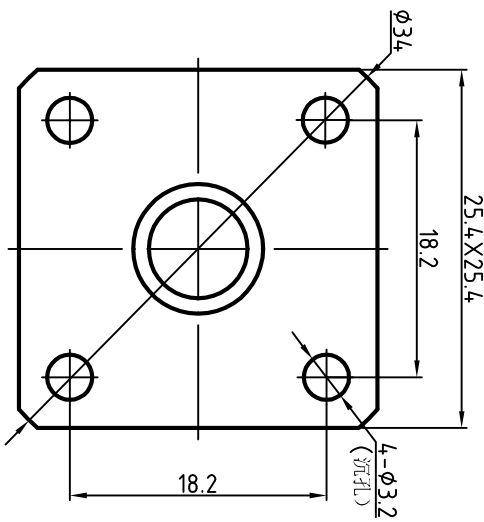
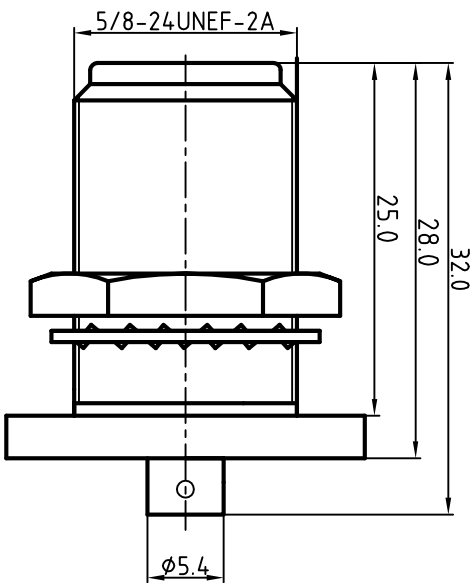


This document contains proprietary information and such information may not be disclosed to others for any purposes, not used for sales/marketing/procurement purposes without written permission

REV	DESCRIPTION OF REVISION	ECN NO.	BY	DATE	APPROVED
A	Initial Release		T.hojyun	19/12/15	19/12/15



1 Electrical

- 1.1 Impedence 50Ω
- 1.2 Frequency 0~11GHz
- 1.2 Dielectric withstanding voltage 1500V(volts RMS)
- 1.3 Working Voltage: 1000V rms
- 1.5 Insulation resistance: ≥5000MΩ

2 Environmental&Mechanical


- 2.1 Temperature range -40℃~85℃
- 2.2 RoHs Compliant
- 2.3 Durability >500 cycles

3 Materials&plating

- 3.1 Body: Brass, Suco-plated
- 3.2 Insulator: Teflon
- 3.3 Contact Pin: Phosphor bronze, Silver plated
- 3.4 Nut: Brass, Suco-plated
- 3.5 Washer: Brass, Suco-plated

Notes:

- 1. ALL SPECIFICATIONS ARE SUBJECT TO CHANGE NOTICE AT ANY TIME
- 2. CUSTOMER OUTLINE DRAWING FOR REFERENCE ONLY

DRAWN: T.Hojyun 19/12/15	TITLE: N-KYFB3C	 www.trilall.com
ENGINEER: C.Too 19/12/15	N female B/H Flange Conn. For .141 cable	
APPROVED: W.Qiang 19/12/15	PART NO: TRL-NF-518909	SCALE: N/A
TOLERANCES UNLESS OTHERWISE SPECIFIED	SIZE: A4	SHEET: 1/1
X ±0.30		REV: A
.XX ±0.20		
ANGLES 3°		