

This document contains proprietary information and such information may not be disclosed to others for any purposes, not used for sales/marketing/procurement purposes without written permission

1 Electrical

- 1.1 Impedance:  $50 \Omega$
- 1.2 Frequency: DC-18GHz
- 1.3 VSWR: 1:2:1

2 Mechanical&Environmental

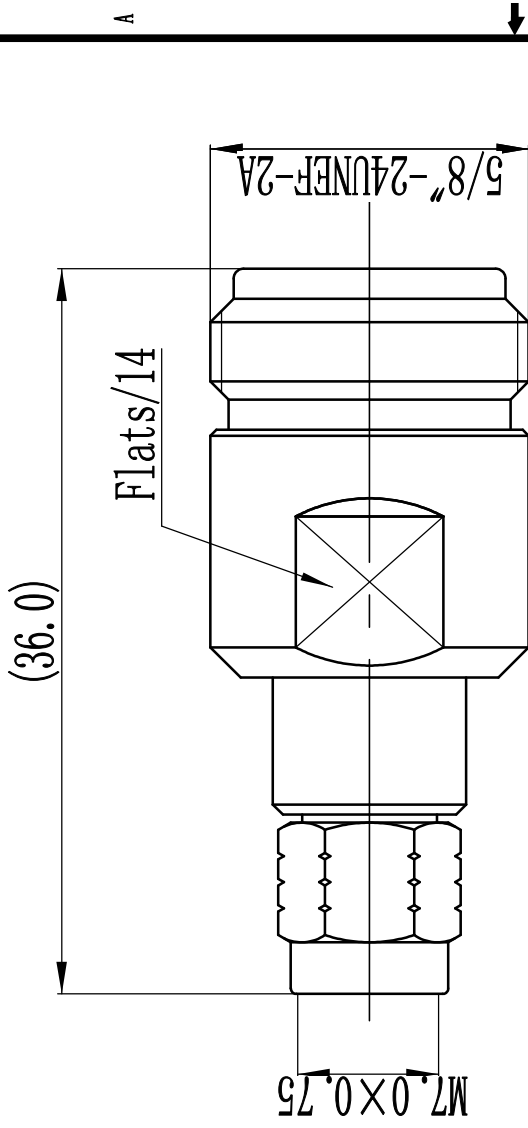
- 2.1 Temperature range  $-45^{\circ}\text{C} \sim +85^{\circ}\text{C}$
- 2.2 Durability(matings) >500
- 2.3 RoHs Compliant Yes

3 Material&Finish

- 3.1 Pin contact: Beryllium-Copper, gold plated
- 3.2 Body: Stainless Steel(SU303), Passivated
- 3.3 Insulators: PEI

4 Interface Standards

- 4.1 N MIL-STD-348A
- 4.2 2.4 IEEE STD 287-2007



REV	DESCRIPTION OF REVISION	ECN NO.	BY	DATE	APPROVED
A	Initial Release		T. Shihua	1/8/14	1/8/14

Notes:

- 1. ALL SPECIFICATIONS ARE SUBJECT TO CHANGE NOTICE AT ANY TIME
- 2. CUSTOMER OUTLINE DRAWING FOR REFERENCE ONLY

DRAWN: T. Shihua 1/8/14 ENGINEER: C. Tao 1/8/14 APPROVED: W. Qiang 1/8/14 TOLERANCES UNLESS OTHERWISE SPECIFIED X +0.50 .X +0.20 .XX +0.10 ANGLES *°	TITLE: Precision Adapter N Female to 2.4 Male		www.tenulit.com
PART NO: N/2.4-KJG	DIMENSION IN MILLIMETERS (mm)		DIMENSION IN MILLIMETERS (mm)
SHEET: A4	SCALE: N/A	SHEET: 1/1	REV: A