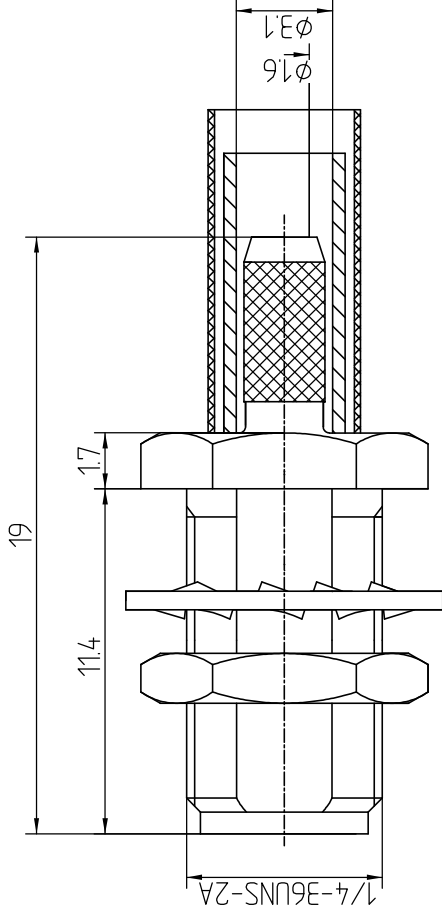


This document contains proprietary information and such information may not be disclosed to others for any purposes, not used for sales/marketing/procurement purposes without written permission

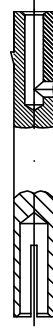
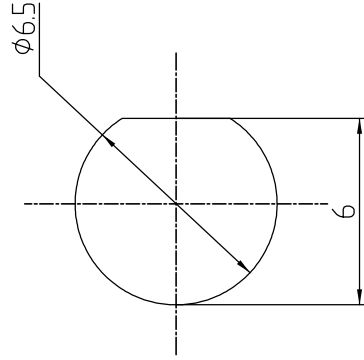
- 1 Electrical**
- 1.1 Impedance **50 Ω**
 - 1.2 Frequency **0~6GHz**
 - 1.3 Dielectric withstanding voltage **1000V (volts RMS)**
 - 1.4 Center contact resistance **≤ 3M Ω**
 - 1.5 Outer contact resistance **≤ 2M Ω**
 - 1.6 Insulation resistance: **≥ 5000M Ω**
 - 1.7 VSWR **1.25:1**

- 2 Environmental & Mechanical**
- 2.1 Temperature range **-45°C ~ 125°C**
 - 2.2 RoHs Compliant
 - 2.3 Durability **> 500 cycles**

- 3 Materials & Finish**
- 3.1 Body: **Brass, Gold Plated**
 - 3.2 Insulator: **Teflon**
 - 3.3 Contact Pin: **Beryllium-copper, Gold plated**
 - 3.4 Washer: **Brass, Gold plated**
 - 3.5 Hex Nut: **Brass, Gold plated**





Mounting Hole



Notes:

- 1. ALL SPECIFICATIONS ARE SUBJECT TO CHANGE NOTICE AT ANY TIME
- 2. CUSTOMER OUTLINE DRAWING FOR REFERENCE ONLY

REV	DESCRIPTION OF REVISION	ECN NO.	BY	DATE	APPROVED
A	Initial Release		T. Shihua	14/9/13	14/9/13

DRAWN: T. Shihua 14/9/13	TITLE: RF Coaxial Connector		 www.rf-connector-china.com
ENGINEER: C. Tao 14/9/13	SMA Female bulkhead Conn. For RG316 cable		
APPROVED: W. Qiang 14/9/13	PART NO: SMA-KY3F		 DIMENSION IN MILLIMETERS (mm)
TOLERANCES UNLESS OTHERWISE SPECIFIED	SIZE: A4	SCALE: N/A	
X +0.50			REV: A
XX +0.20			
ANGLES ±°			