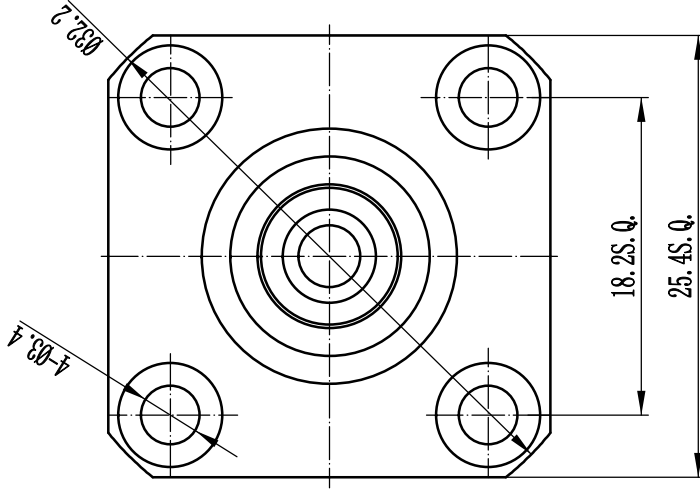
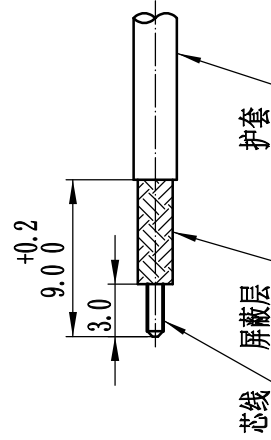
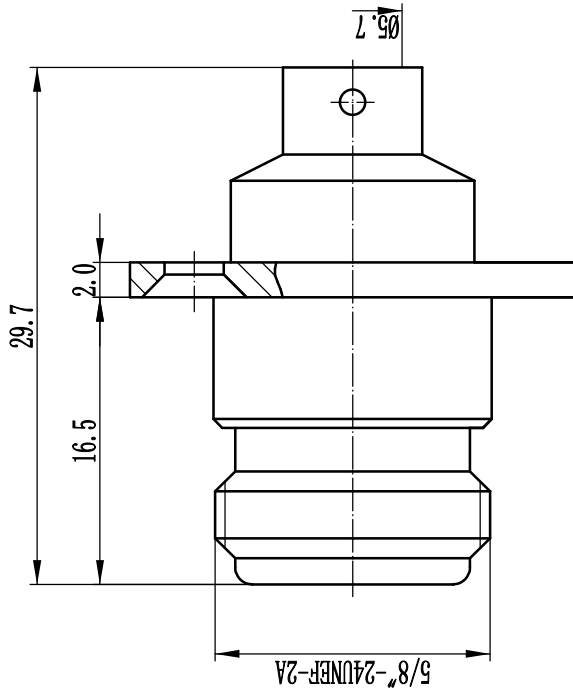


This document contains proprietary information and such information may not be disclosed to others for any purposes, not used for sales/marketing/procurement purposes without written permission



- 1 Electrical
- 1.1 Impedance 50 Ω
 - 1.2 Frequency DC-7GHz
 - 1.3 Dielectric withstanding voltage 1500V(volts RMS)
 - 1.4 Center contact resistance $\leq 1M\Omega$
 - 1.5 Outer contact resistance $\leq 0.2M\Omega$
 - 1.6 Insulation resistance: $\geq 5000M\Omega$

- 2 Environmental&Mechanical
- 2.1 Temperature range -45℃~85℃
 - 2.2 RoHs Compliant
 - 2.3 Durability >500 cycles

- 3 Materials&Finish
- 3.1 Body: Brass, Nickel plated
 - 3.2 Insulator: Teflon
 - 3.3 Contact Pin: Bronze, silver plated

REV	DESCRIPTION OF REVISION	ECN NO.	BY	DATE	APPROVED
A	Initial Release		T. Shihua	8/05/14	8/05/14
B	New Release		T. Shihua	13/05/14	13/05/14

Notes:

- 1. ALL SPECIFICATIONS ARE SUBJECT TO CHANGE NOTICE AT ANY TIME
- 2. CUSTOMER OUTLINE DRAWING FOR REFERENCE ONLY

DRAWN: T. Shihua 8/05/14

ENGINEER: C. Tao 8/05/14

APPROVED: W. Qiang 8/05/14

TOLEANCES UNLESS OTHERWISE SPECIFIED
 X +0.50
 XX +0.20
 ANGLES ±1°

TITLE:
 RF Coaxial Connector

N Female Flange Connector
 For 5D-FB Cable

PART NO: N-KF5D-FB



SCALE: A4 N/A 1/1
 DIMENSION IN MILLIMETERS (mm)