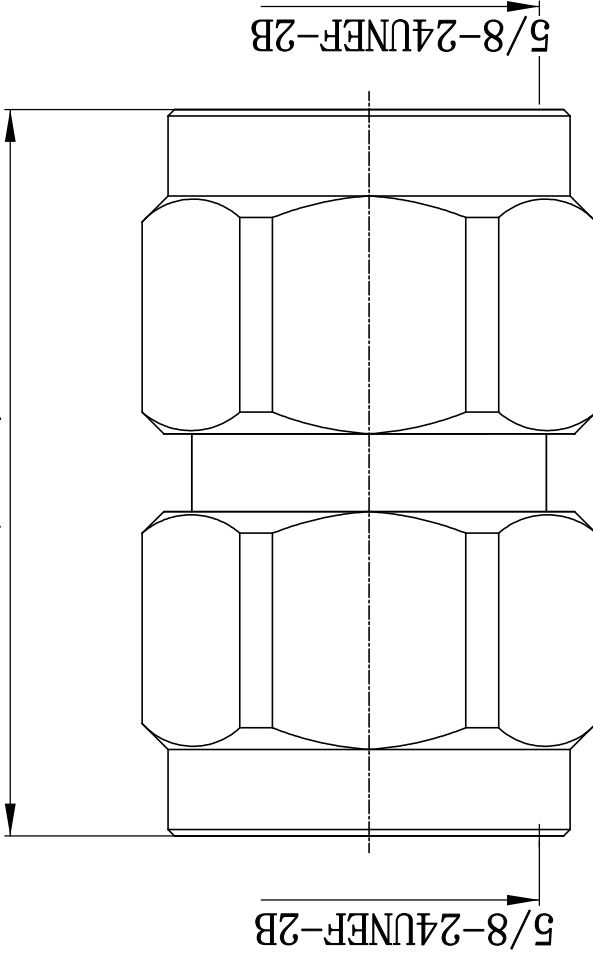


This document contains proprietary information and such information may not be disclosed to others for any purposes, not used for sales/marketing/procurement purposes without written permission

(33.6)



- 1 Electrical
 - 1.1 Impedence 50 Ω
 - 1.2 Frequency 0~6GHz
 - 1.3 VSWR 1.20:1
- 2 Environmental&Mechanical
 - 2.1 Temperature range -40℃~125℃
 - 2.2 RoHs Compliant
 - 2.3 Durability >500 cycles
- 3 Materials&plating
 - 3.1 Body: Brass, nickel plated
 - 3.2 Insulator: Teflon
 - 3.3 Contact Pin: Brass, Gold plated
 - 3.4 Housing: Brass, nickel plated
 - 3.5 Coupling nut: Brass, nickel plated

Notes:

1. ALL SPECIFICATIONS ARE SUBJECT TO CHANGE NOTICE AT ANY TIME
2. CUSTOMER OUTLINE DRAWING FOR REFERENCE ONLY

REV	DESCRIPTION OF REVISION	ECN NO.	BY	DATE	APPROVED
A	Initial Release		T. Shihua	15/02/08	15/02/08

DRAWN: T. Shihua 15/02/08		TITLE: RF Adaptor		www.rf-connector-china.com	
ENGINEER: C. Tao 15/02/08		N Male to N Male		DIMENSION IN MILLIMETERS (mm)	
APPROVED: W. Qiang 15/02/08		PART NO: N-JJA		SCALE: N/A	
TOLERANCES UNLESS OTHERWISE SPECIFIED		SIZE: A4		SHEET: 1/1	
X ±0.50	ANGLES ±1°		REV: A		
.X ±0.20					
.XX ±0.10					