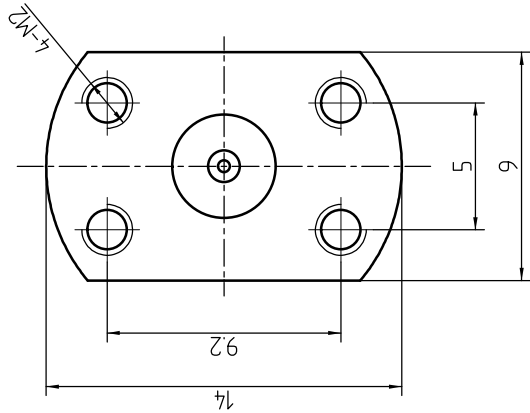
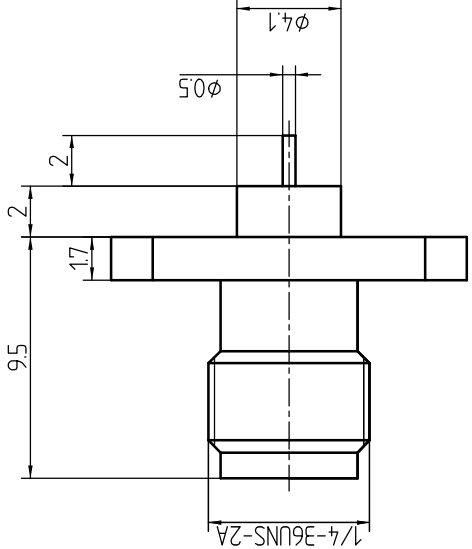


This document contains proprietary information and such information may not be disclosed to others for any purposes, not used for sales/marketing/procurement purposes without written permission




- 1 Electrical
 - 1.1 Impedance 50 Ω
 - 1.2 Frequency DC ~ 18GHz
 - 1.3 VSWR 1.30:1
- 2 Environmental & Mechanical
 - 2.1 Temperature range -45°C ~ 85°C
 - 2.2 RoHS Compliant
 - 2.3 Durability > 500 cycles
- 3 Materials & Plating
 - 3.1 Body: Stainless Steel, Passivated
 - 3.2 Insulator: Teflon
 - 3.3 Contact Pin: Beryllium-copper, Gold plated



Notes:

- 1. ALL SPECIFICATIONS ARE SUBJECT TO CHANGE NOTICE AT ANY TIME
- 2. CUSTOMER OUTLINE DRAWING FOR REFERENCE ONLY

| | | |
|---|---|--|
| DRAWN: T. Halyun 15/09/17 ENGINEER: C. Tao 15/09/17 APPROVED: W. Qiang 12/07/08 TOLERANCES UNLESS OTHERWISE SPECIFIED X +0.20 XX +0.10 ANGLES ±1° | TITLE: RF Coaxial Connector SMA Female Flange Conn. Terminal |  www.rf-connector-china.com |
| PART NO: SMA-KFD1058G | DIMENSION IN MILLIMETERS (mm) | DIMENSION IN MILLIMETERS (mm) |
| SIZE: A4 | SCALE: N/A | SHEET: 1/1 |
| REV: A | BY: T. Halyun | DATE: 15/09/17 |
| DESCRIPTION OF REVISION: Initial Release | ECN NO. | APPROVED: 15/09/17 |

A

B

A

B