

This document contains proprietary information and such information may not be disclosed to others for any purposes, not used for sales/marketing/procurement purposes without written permission

1 Electrical

- 1.1 Impedance: 50 Ω
- 1.2 Frequency: DC-40GHz
- 1.3 VSWR: 1.25:1

2 Mechanical&Environmental

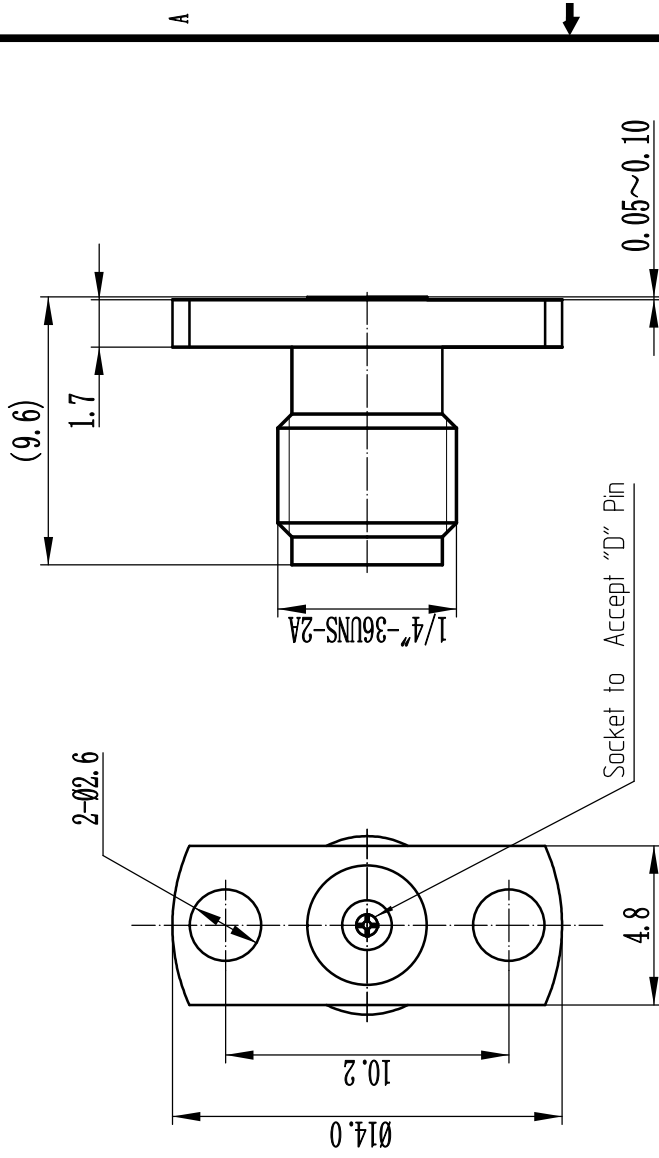
- 2.1 Temperature range -45°C ~+125°C
- 2.2 Durability(matings) >500
- 2.3 RoHS Compliant Yes

3 Material&Finish

- 3.1 Pin contact: Beryllium-Copper, gold plated
- 3.2 Body: Stainless Steel(SUS303), Passivated
- 3.3 Insulators: PEI

4 Interface Standards

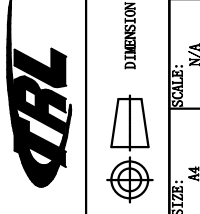
- 4.1 2.92 MIL-STD-348A



Part. No	ØD
ANO 2912-3052-1	Ø0.23
ANO 2912-3052-2	Ø0.30
ANO 2912-3052-3	Ø0.51

DRAWN: T. Shihua 15/11/17
ENGINEER: C. Tao 15/11/17
APPROVED: W. Qiang 15/11/17
TOLERANCES UNLESS OTHERWISE SPECIFIED
X ±0.50
XX ±0.20
ANGLES ±°

TITLE:		RF Coaxial Connector	
2. 92mm female 2 Holes Flange		Filled Replaceable	
PART NO:	2. 92-KFDO. 25G/0. 35G/0. 55G	SCALE:	N/A
SIZE:	A4	SHEET:	1/1
REV:	A	DATE:	15/11/17
BY:	T. Shihua	APPROVED:	15/11/17
DESCRIPTION OF REVISION:	Initial Release	ECN NO.:	



Notes:

- 1. ALL SPECIFICATIONS ARE SUBJECT TO CHANGE NOTICE AT ANY TIME
- 2. CUSTOMER OUTLINE DRAWING FOR REFERENCE ONLY