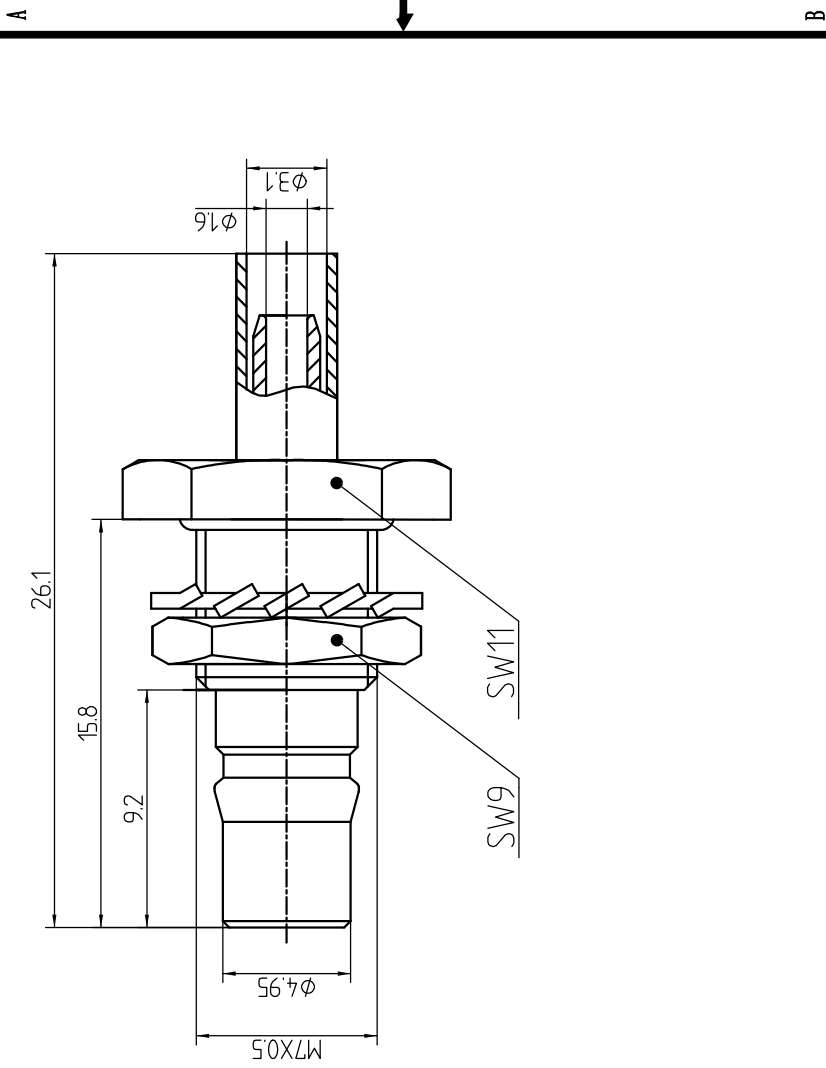


This document contains proprietary information and such information may not be disclosed to others for any purposes, not used for sales/marketing/procurement purposes without written permission



- 1 Electrical
 - 1.1 Impedence **50 Ω**
 - 1.2 Frequency **0~6GHz**
 - 1.3 VSWR **1.25 : 1**
- 2 Environmental&Mechanical
 - 2.1 Temperature range **-40 °C ~ 85 °C**
 - 2.2 RoHs Compliant
 - 2.3 Durability **>500 cycles**
- 3 Materials&plating
 - 3.1 Body: **Brass, Suco-plated**
 - 3.2 Insulator: **Teflon**
 - 3.3 Contact Pin: **Beryllium-copper, Gold plated**
 - 3.4 Nut : **Brass, Suco-plated**
 - 3.5 Washer: **Bronze, Suco-plated**
 - 3.6 O-Ring : **Silicon Rubber(Red Color)**
 - 3.7 Crimp Ferrule: **Copper, Suco-plated**



REV	DESCRIPTION OF REVISION	CON. NO.	BY	DATE	APPROVED
A	Initial Release		T. Haiyun	15/06/16	15/06/16

Notes:

- 1. ALL SPECIFICATIONS ARE SUBJECT TO CHANGE NOTICE AT ANY TIME
- 2. CUSTOMER OUTLINE DRAWING FOR REFERENCE ONLY

DRAWN: T. Haiyun 15/06/16	TITLE:		 www.terulilai.com
ENGINEER: C. Tao 15/06/16	RF Coaxial Connector		
APPROVED: W. Qiang 15/06/16	QMA female Str. B/H Conn. For		 DIMENSION IN MILLIMETERS (mm)
TOLERANCES UNLESS OTHERWISE SPECIFIED	RG316 cable		
X +0.50	SIZE: M4	SCALE: N/A	SHEET: 1/1
X +0.20	PART NO: QMA-KY3Y		REV: A
XX ±0.10			
ANGLES ±1°			