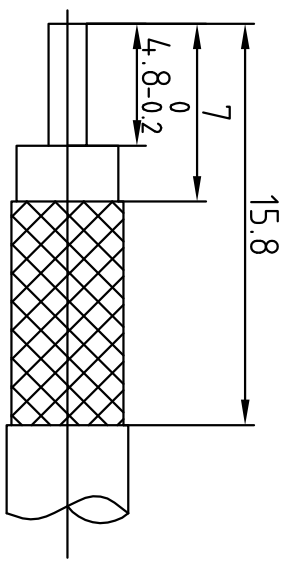
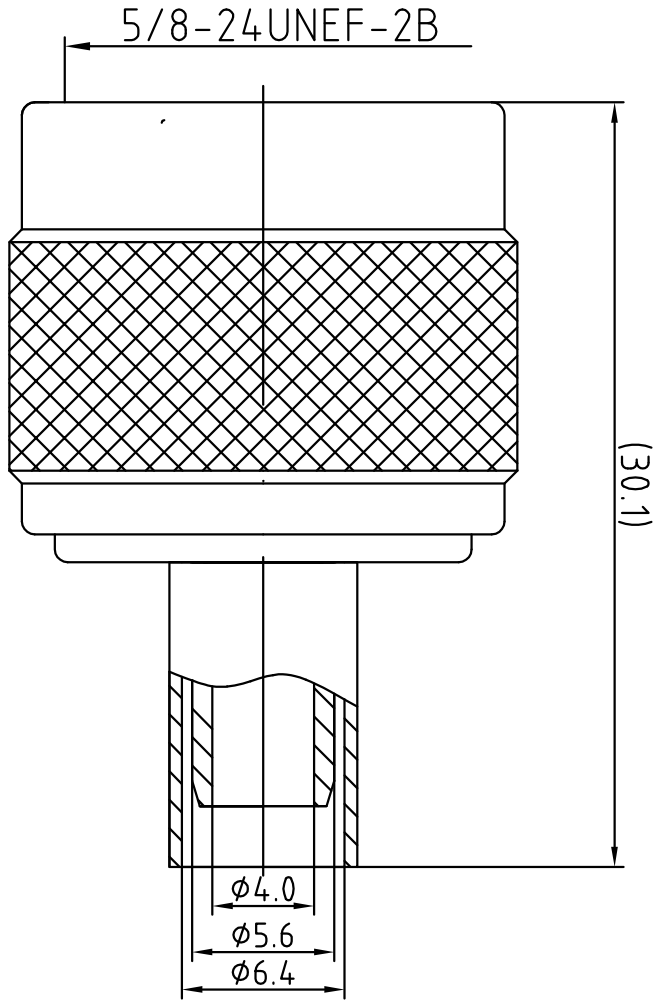


This document contains proprietary information and such information may not be disclosed to others for any purposes, not used for sales/marketing/procurement purposes without written permission


REV	DESCRIPTION OF REVISION	ECN NO.	BY	DATE	APPROVED
A	Initial Release		T.Shihua	13/05/15	13/05/15



- 1 Electrical
  - 1.1 Impedence 50  $\Omega$
  - 1.2 Frequency 0~11GHz
  - 1.2 Dielectric withstanding voltage 1500V(volts RMS)
  - 1.3 Working Voltage: 1000V rms
  - 1.5 Insulation resistance:  $\geq 5000M\Omega$
- 2 Environmental&Mechanical
  - 2.1 Temperature range -40 $^{\circ}$ C~85 $^{\circ}$ C
  - 2.2 RoHS Compliant
  - 2.3 Durability >500 cycles
- 3 Materials&plating
  - 3.1 Body: Brass, silver plated
  - 3.2 Insulator: Teflon
  - 3.3 Contact Pin: Brass, Gold plated
  - 3.4 Ferrule: Copper, silver plated
  - 3.5 Coupling nut: Brass, silver plated

Notes:

1. ALL SPECIFICATIONS ARE SUBJECT TO CHANGE NOTICE AT ANY TIME
2. CUSTOMER OUTLINE DRAWING FOR REFERENCE ONLY

DRAWN: T.Shihua 13/05/15	TITLE: N-J240Y	 www.terullal.com
ENGINEER: C.Too 13/05/15	N male Conn. For Imr240 cable	
APPROVED: W.Qiang 13/05/15	PART NO: TRL-NM-1035	SIZE: A4
TOLERANCES UNLESS OTHERWISE SPECIFIED		SCALE: N/A
X 0.10		SHEET: 1/1
XX 0.20		REV: A
ANGLES 5 $^{\circ}$		

DIMENSION IN MILLIMETERS (mm)