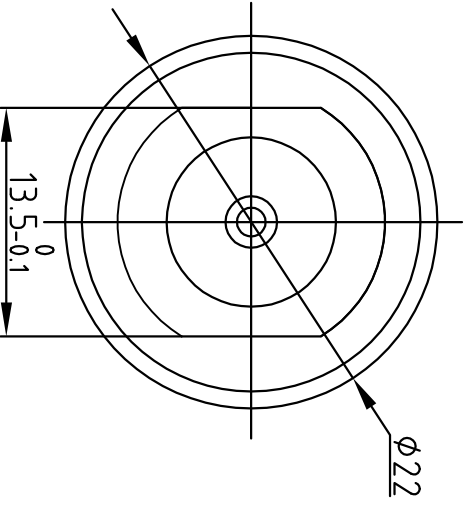
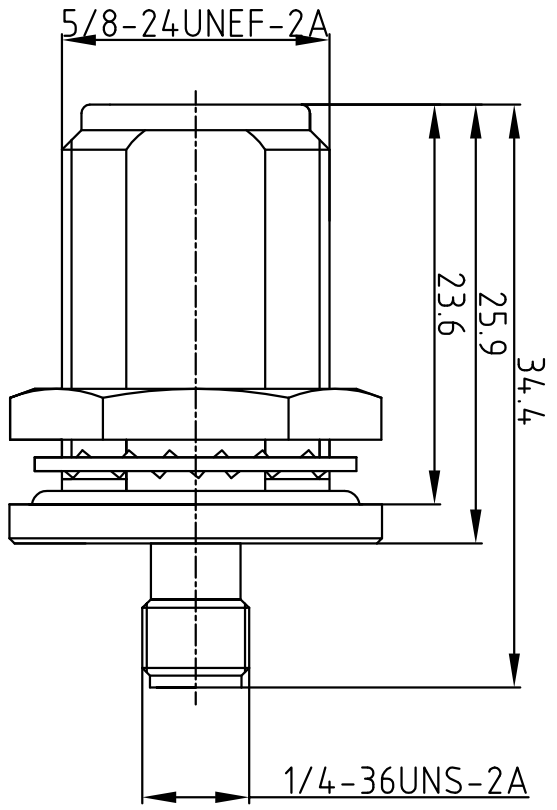


This document contains proprietary information and such information may not be disclosed to others for any purposes, not used for sales/marketing/procurement purposes without written permission

REV	DESCRIPTION OF REVISION	ECN NO.	BY	DATE	APPROVED
A	Initial Release		T.Shihua	18/7/13	18/7/13



- 1 Electrical**
- 1.1 Impedance: 50 Ω
 - 1.2 Frequency: 0~11GHz
 - 1.3 Dielectric withstanding voltage: 1000V(volts RMS)
 - 1.4 Center contact resistance: ≤ 3MΩ
 - 1.5 Outer contact resistance: ≤ 2MΩ
 - 1.6 Insulation resistance: ≥5000MΩ

- 2 Environmental&Mechanical**
- 2.1 Temperature range: -45℃~85℃
 - 2.2 RoHS Compliant
 - 2.3 Durability: >500 cycles

- 3 Materials&plating**
- 3.1 Body: Brass, nickel plated
 - 3.2 Insulator: Teflon
 - 3.3 Contact Pin: Bronze, Gold plated
 - 3.4 Nut: Brass, nickel plated
 - 3.5 Gasket: Silicon Rubber

Notes:
 1.ALL SPECIFICATIONS ARE SUBJECT TO CHANGE NOTICE AT ANY TIME
 2.CUSTOMER OUTLINE DRAWING FOR REFERENCE ONLY

DRAWN: T.Shihua 18/07/13	TITLE: N/SMA-KYKA	DIMENSION IN MILLIMETERS (mm)
ENGINEER: C.Too 18/07/13		
APPROVED: W.Qiang 18/07/13	N female to SMA female B/H adaptor	
TOLERANCES UNLESS OTHERWISE SPECIFIED	PART NO: TRU-ZAQ-021038	SIZE: A4
X ±0.20		SCALE: N/A
X ±0.30		SHEET: 1/1
XX ±0.10		REV: A
ANGLES 5°		

Xi'an Reach-Line Technology Co.,Ltd.

1 2 3 4