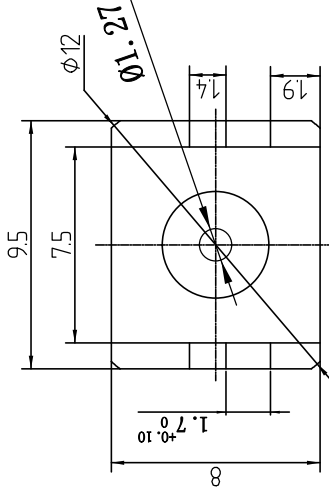
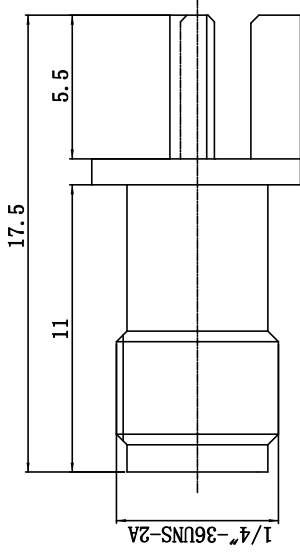


This document contains proprietary information and such information may not be disclosed to others for any purposes, not used for sales/marketing/procurement purposes without written permission

- 1 Electrical
  - 1.1 Impedance: 50  $\Omega$
  - 1.2 Frequency: DC ~6GHz
  - 1.3 Dielectric withstanding voltage: 1000V(volts RMS)
  - 1.4 Center contact resistance:  $\leq 3M\Omega$
  - 1.5 Outer contact resistance:  $\leq 2M\Omega$
  - 1.6 Insulation resistance:  $\geq 5000M\Omega$

- 2 Environmental&Mechanical
  - 2.1 Temperature range: -45 $^{\circ}$ c ~125 $^{\circ}$ c
  - 2.2 RoHS Compliant
  - 2.3 Durability: >500 cycles

- 3 Materials&plating
  - 3.1 Body: Brass; Gold, plated
  - 3.2 Insulator: Teflon
  - 3.3 Contact Pin: Beryllium Copper; Gold,plated





**Notes:**

1. ALL SPECIFICATIONS ARE SUBJECT TO CHANGE NOTICE AT ANY TIME
2. CUSTOMER OUTLINE DRAWING FOR REFERENCE ONLY

REV	DESCRIPTION OF REVISION	ECN NO.	BY	DATE	APPROVED
A	Initial Release		T. Haiyum	24/7/13	24/7/13

DRAWN: T. Haiyum 24/07/13	TITLE: SMA-KHDC5T
ENGINEER: C. Tao 24/07/13	SMA Female Conn. End Launch
APPROVED: W. Qiang 24/07/13	
TOLERANCES UNLESS OTHERWISE SPECIFIED X ±0.50 .X ±0.20 .XX ±0.10 ANGLES ±1°	

			
www.t-relytech.com		DIMENSION IN MILLIMETERS (mm)	
PART NO: TEL-SMAF-5129	SCALE: 1:1	SHEET: 1/1	REV: A