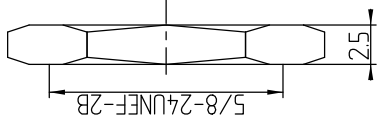
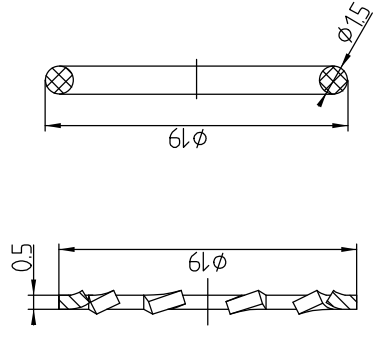
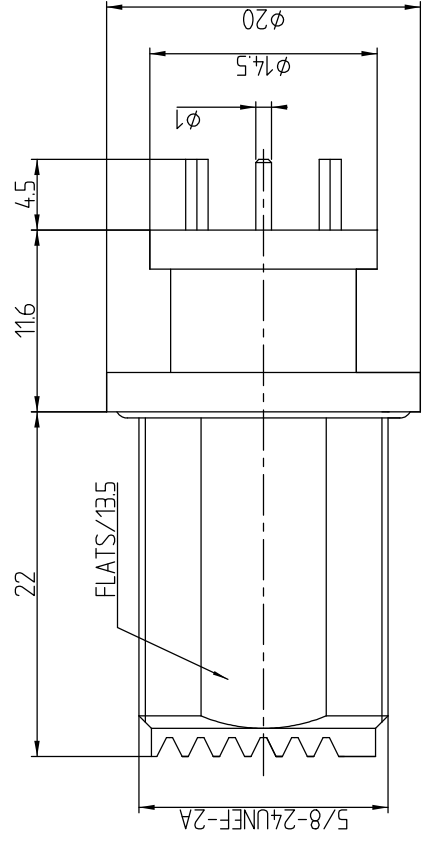
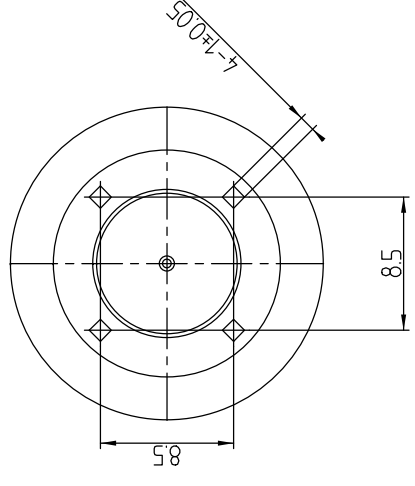
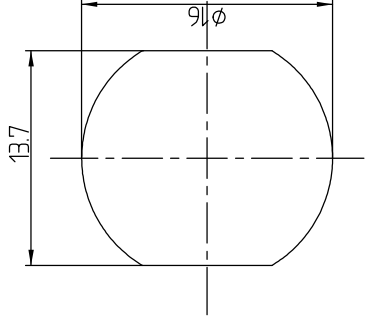


This document contains proprietary information and such information may not be disclosed to others for any purposes, not used for sales/marketing/procurement purposes without written permission

REV	DESCRIPTION OF REVISION	ECN NO.	BY	DATE	APPROVED
A	Initial Release		T. Shihua	13/05/15	13/05/15



Recommended Panel Cutout



- 1 Electrical
- 11 Frequency: 0~300MHz
- 12 Working voltage: 5750V
- 13 Insulation resistance: ≥5000MΩ
- 14 Dielectric strength: 2000V
- 15 Center Contact resistance: ≤5MΩ
- 16 Outer Contact resistance: ≤5MΩ
- 2 Environmental&Mechanical
- 2.1 Temperature range: -45℃~125℃
- 2.2 RoHS Compliant: Yes
- 2.3 Durability: >500 cycles
- 2 Material&Finish
- 2.1 Inner Contact: Bronze, Gold plated
- 2.2 Outer Contact: Brass, Tri-metal plated
- 2.3 Insulators: Teflon
- 2.4 Nut: Brass, Tri-metal plated
- 2.5 Washer: Bronze, Tri-metal plated
- 2.6 Gasket: Silicon Rubber (black color)

Notes:

- 1. ALL SPECIFICATIONS ARE SUBJECT TO CHANGE NOTICE AT ANY TIME
- 2. CUSTOMER OUTLINE DRAWING FOR REFERENCE ONLY

DRAWN: T. Shihua 13/05/15 ENGINEER: C. Tao 13/05/15 APPROVED: W. Qiang 13/05/15 TOLERANCES UNLESS OTHERWISE SPECIFIED X ±0.20 XX ±0.10 ANGLES ±1°	TITLE: RF Coaxial Connector UHF Female Bulkhead Conn. PCB Mounting	 www.rf-connector-china.com DIMENSION IN MILLIMETERS (mm)
PART NO: UHF-KYHD-L	SCALE: N/A	SHEET: 1/1