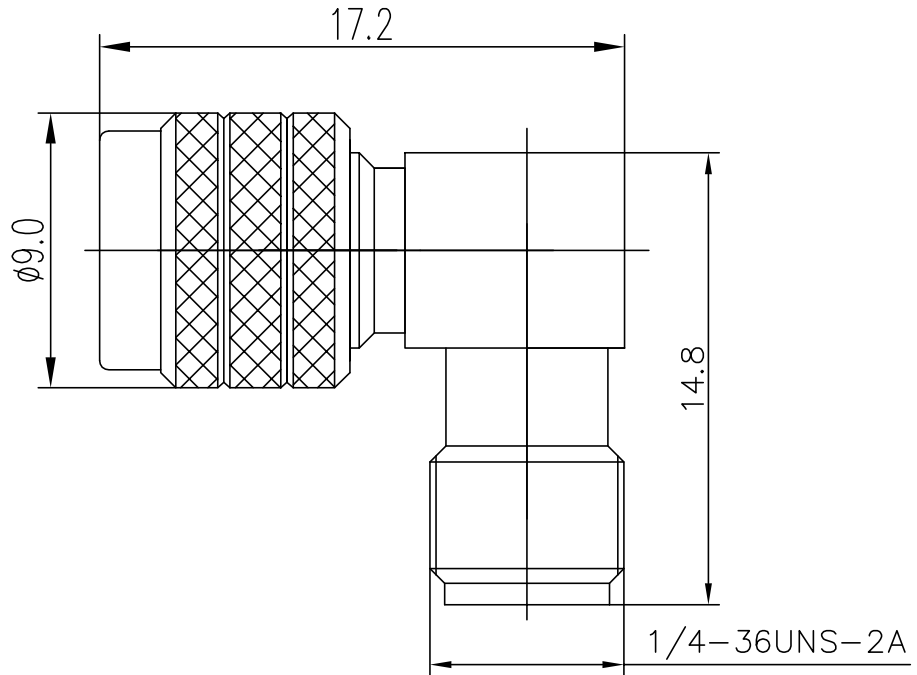


This document contains proprietary information and such information may not be disclosed to others for any purposes nor used for sales/marketing/procurement purposes without written permission
 本文件包含专有信息，没有书面许可，该信息不能以任何形式披露给第三方，也不能用于任何目的的买卖、销售及采购。



Electrical

1. Impedance: 50Ω
2. Frequency: 0~6GHz
3. Contact Resistance
 Center Conductor $\leq 3.0M\Omega$
 Out Conductor: $\leq 2.0M\Omega$
4. Dielectric withstanding voltage: $\geq 1000V$
5. Insulation resistance: $\geq 5000M\Omega$

Material&Finish

1. Inner Conductor: Beryllium Copper, gold plated
2. Outer conductor: Brass, gold plated
3. Insulators: Teflon

FIRST ANGLE PROJECTION		SCALE	Q SMA-JWK	UNITS	UNLESS OTHERWISE SPECIFIED DIMENSIONS ARE mm, TOLERANCES ARE:
THIRD ANGLE PROJECTION		N/A		mm	
	NAME	DATE	RF Coaxial Connector	REV	FRACTIONS DECIMALS ANGLES
DRAWN	Michael Tang	05-09-14		V1.0	.X± .2⊕ 1° .XX± .10 .XXX±
CHECKED	Ben Liu	05-09-14	Xi'an T-rely Electronics Co., Ltd.		
APPROVED	Lee Li	05-09-14			