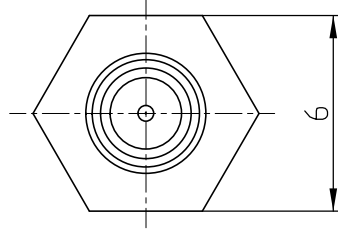
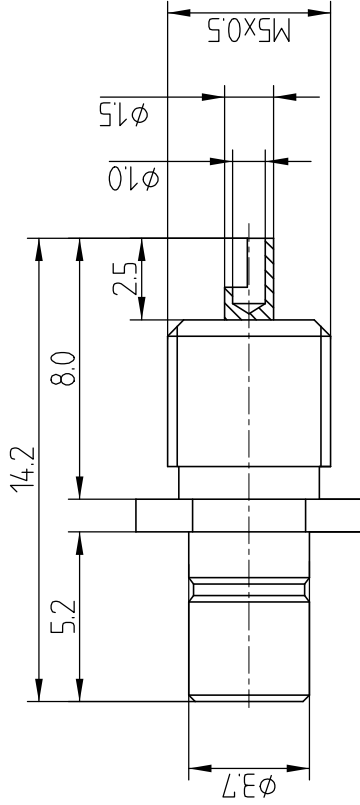


This document contains proprietary information and such information may not be disclosed to others for any purposes, not used for sales/marketing/procurement purposes without written permission





1. Electrical
 1.1 Impedance: 50 Ω
 1.2 Frequency: 0~4GHz
 1.3 Working voltage: $\leq 250V$
 1.4 Insulation resistance: $\geq 1000M\Omega$
 1.5 Dielectric strength: 750V
 1.6 Center Contact resistance: $\leq 6m\Omega$
 1.7 Outer contact resistance: $\leq 1m\Omega$
2. Environmental&Mechanical
 2.1 Temperature range: $-45^{\circ}C \sim 125^{\circ}C$
 2.2 RoHs Compliant
 2.3 Durability: 500 cycles
3. Materials&plating
 3.1 Inner Contact: Brass, gold plating
 3.1 Outer Contact: Brass, gold plated
 3.3 Insulators: Teflon

REV	DESCRIPTION OF REVISION	ECN NO.	BY	DATE	APPROVED
A	Initial Release		T. Shihua	2/12/14	2/12/14

DRAWN: T. Shihua 2/12/14
ENGINEER: C. Tao 2/12/14
APPROVED: W. Qiang 2/12/14
TOLERANCES UNLESS OTHERWISE SPECIFIED
X +0.50
.X +0.20
.XX +0.10
ANGLES *°

TITLE:	
RF Coaxial Connector	
SMB male Bulkhead conn. Terminal	
PART NO: SMB-JYD1	

 www.rf-connector-china.com	
 DIMENSION IN MILLIMETERS (mm)	SCALE: N/A SHEET: 1/1 REV: A

Notes:

- ALL SPECIFICATIONS ARE SUBJECT TO CHANGE NOTICE AT ANY TIME
- CUSTOMER OUTLINE DRAWING FOR REFERENCE ONLY