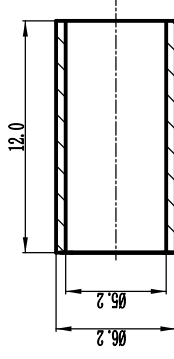
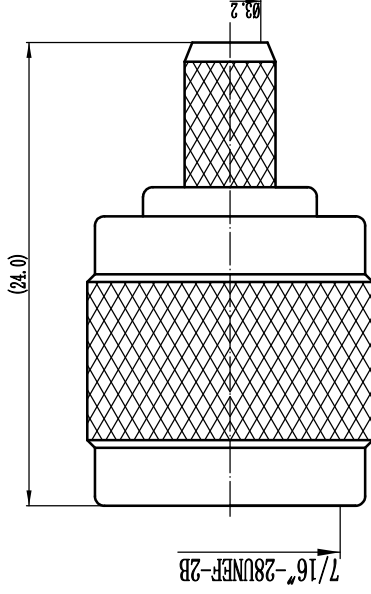


This document contains proprietary information and such information may not be disclosed to others for any purposes, not used for sales/marketing/procurement purposes without written permission

- 1 Electrical
 - 1.1 Impedence 50 Ω
 - 1.2 Frequency 0~6GHz
 - 1.3 Dielectric withstanding voltage 1500V(volts RMS)
 - 1.4 Center contact resistance $\leq 1.5M \Omega$
 - 1.5 Outer contact resistance $\leq 0.2M \Omega$
 - 1.6 Insulation resistance: $\geq 5000M \Omega$

- 2 Environmental&Mechanical
 - 2.1 Temperature range -55 $^{\circ}c$ ~125 $^{\circ}c$
 - 2.2 RoHs Compliant
 - 2.3 Durability >500 cycles

- 3 Materials&plating
 - 3.1 Body: Brass, nickel plating
 - 3.2 Insulator: Teflon
 - 3.3 Contact Pin: Phosphor bronze, gold plating
 - 3.4 Coupling nut: Brass, nickel plating
 - 3.5 Gasket: Silicon rubber(red color)



Notes:

1. ALL SPECIFICATIONS ARE SUBJECT TO CHANGE NOTICE AT ANY TIME
2. CUSTOMER OUTLINE DRAWING FOR REFERENCE ONLY

REV	DESCRIPTION OF REVISION	ECN NO.	BY	DATE	APPROVED
A	Initial Release		T. Shihua	12/7/11	12/7/11

DRAWN: T. Shihua 12/07/11		TITLE: RF Coaxial Connector	
ENGINEER: C. Tao 12/07/11		Reverse Polarity TNC male Connector For LMR200 Cable	
APPROVED: W. Qiang 12/07/11		www.tfh-f.com	
TOLERANCES UNLESS OTHERWISE SPECIFIED		DIMENSION IN MILLIMETERS (mm)	
X	+0.50	SCALE: 1:1	
.X	+0.20	SHEET: 1/1	
.XX	+0.10	REV: A	
ANGLES	±°	SIZE: A4	
PART NO: (RP) TNC-K200Y		REV: A	

