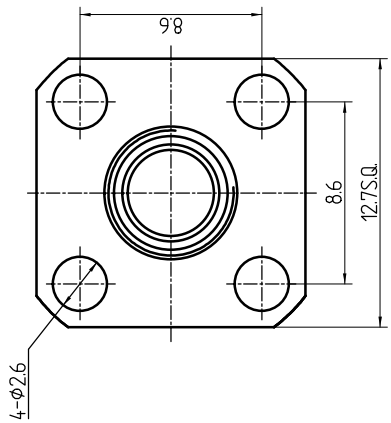
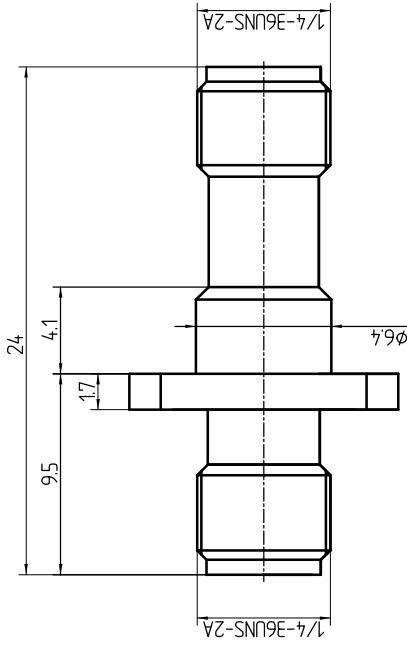


This document contains proprietary information and such information may not be disclosed to others for any purposes, not used for sales/marketing/procurement purposes without written permission

REV	DESCRIPTION OF REVISION	ECN NO.	BY	DATE	APPROVED
A	Initial Release		T. Shihua	16/6/15	16/6/15





- 1 Electrical data
  - 1.1 Impedance: 50 Ω
  - 1.2 Frequency: DC-6GHz
  - 1.3 VSWR 1:20:1

- 2 Mechanical data
  - 2.1 Temperature range -45°C ~+125°C
  - 2.2 Durability (matings) >500

- 3 Material & Finish
  - 3.1 Pin contact: Beryllium-copper, Gold plated
  - 3.2 Body: Brass, gold-plated
  - 3.3 Insulators: PTFE

**Notes:**  
 1. ALL SPECIFICATIONS ARE SUBJECT TO CHANGE NOTICE AT ANY TIME  
 2. CUSTOMER OUTLINE DRAWING FOR REFERENCE ONLY

<b>DRAWN:</b> T. Shihua 16/6/15	<b>TITLE:</b> RF Adaptor		<a href="http://www.terulaj.com">www.terulaj.com</a>
<b>ENGINEER:</b> C. Tao 16/6/15	<b>SMA Female to Female Flange Adaptor</b>		DIMENSION IN MILLIMETERS (mm)
<b>APPROVED:</b> W. Qiang 16/6/15	<b>PART NO:</b> SMA-RFKN	SIZE: A4	SCALE: N/A
TOLERANCES UNLESS OTHERWISE SPECIFIED X +0.50 XX +0.20 ANGLES ±1°	<b>SHRETT:</b> 1/1	REV: A	