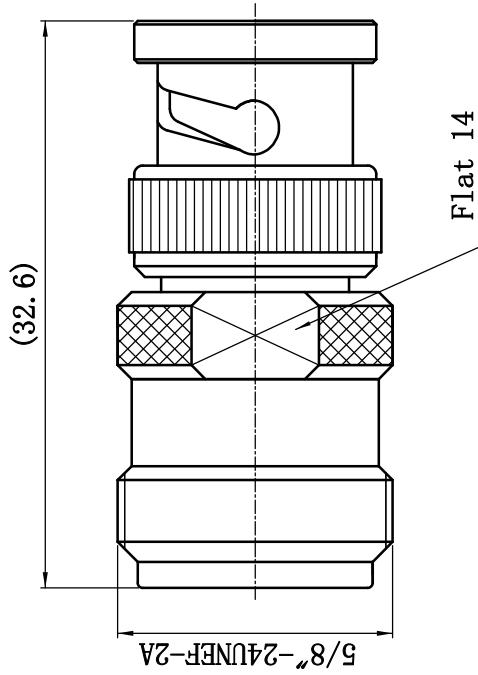


This document contains proprietary information and such information may not be disclosed to others for any purposes, not used for sales/marketing/procurement purposes without written permission

REV	DESCRIPTION OF REVISION	ECN NO.	BY	DATE	APPROVED
A	Initial Release	---	T. Shihua	17/12/14	17/12/14



1 Electrical

- 1.1 Impedance: 50 Ω
- 1.2 Frequency: DC ~ 4GHz
- 1.3 VSWR: 1.30:1

2 Environmental

- 2.1 Temperature -45° to 125°
- 2.2 RoHs compliant

3 Material & Finish

- 3.1 Inner Contact: Phosphor Bronze, gold plated
- 3.2 Outer Contact: brass, nickel plated
- 3.3 Insulators: PTFE
- 3.4 O-Ring: Silicon Rubber (red color)
- 3.5 Coupling Nut: Brass, nickel plated

Notes:

- 1. ALL SPECIFICATIONS ARE SUBJECT TO CHANGE NOTICE AT ANY TIME
- 2. CUSTOMER OUTLINE DRAWING FOR REFERENCE ONLY

DRAWN: T. Shihua 17/12/14 ENGINEER: C. Tao 17/12/14 APPROVED: W. Qiang 17/12/14 TOLERANCES UNLESS OTHERWISE SPECIFIED X ±0.50 .X ±0.20 .XX ±0.10 ANGLES ±1°	TITLE: RF Coaxial Connector N Female to BNC Male adapter	 www.cablconnector-online.com
DIMENSION IN MILLIMETERS (mm)	DIMENSION IN MILLIMETERS (mm)	DIMENSION IN MILLIMETERS (mm)
PART NO: N/BNC-KJ	SCALE: N/A	SHEET: 1/1
REV: A	SIZE: A4	REV: A