

This document contains proprietary information and such information may not be disclosed to others for any purposes,
not used for sales/marketing/procurement purposes without written permission

REV	DESCRIPTION OF REVISION	ECN NO.	BY	DATE	APPROVED
A	Initial Release	—	T. Shihua	14/9/13	14/9/13

1 Electrical

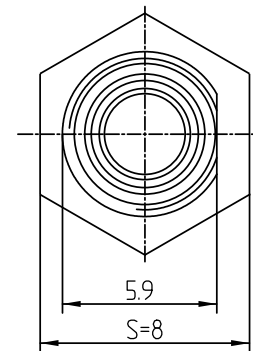
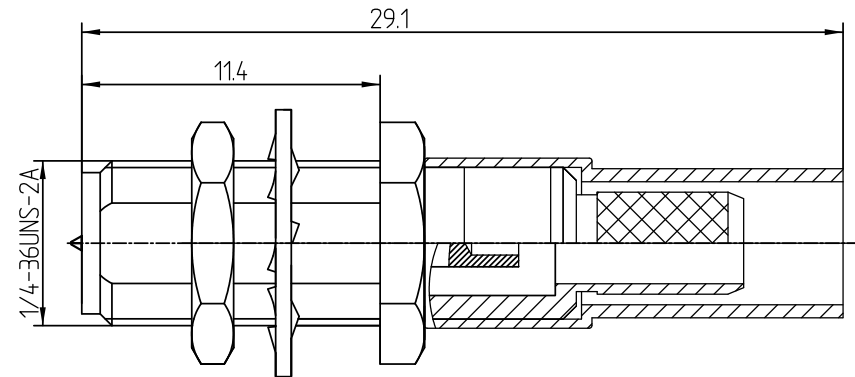
- 1.1 Impedence **50 Ω**
- 1.2 Frequency **0~3GHz**
- 1.3 Dielectric withstanding voltage **1000V(volts RMS)**
- 1.4 Center contact resistance **≤ 3M Ω**
- 1.5 Outer contact resistance **≤ 2M Ω**
- 1.6 Insulation resistance: **≥5000M Ω**

2 Environmental&Mechanical

- 2.1 Temperature range **-45℃ ~85℃**
- 2.2 RoHs Compliant
- 2.3 Durability **>500 cycles**



3 Materials&Finish

- 3.1 Body: **Brass, Gold Plated**
- 3.2 Insulator: **Teflon**
- 3.3 Contact Pin: **Beryllium Copper Gold plated**
- 3.4 Washer: **Brass, Gold plated**
- 3.5 Hex Nut: **Brass, Gold plated**



Notes:

- 1. ALL SPECIFICATIONS ARE SUBJECT TO CHANGE NOTICE AT ANY TIME
- 2. CUSTOMER OUTLINE DRAWING FOR REFERENCE ONLY

DRAWN : T. Shihua 14/9/13 ENGINEER: C. Tao 14/9/13 APPROVED : W. Qiang 14/9/13 TOLERANCES UNLESS OTHERWISE SPECIFIED X ±0.50 .X ±0.20 .XX ±0.10 ANGLES ±1°	TITLE: RF Coaxial Connector RPSMA Female bulkhead Conn. For RG58 Cable Sky Window	 www.trl-rf.com  DIMENSION IN MILLIMETERS (mm)		
PART NO: RPSMA-JY5C	SIZE: A4	SCALE: N/A	SHEET: 1/1	REV: A