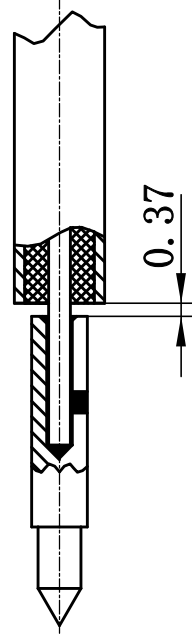
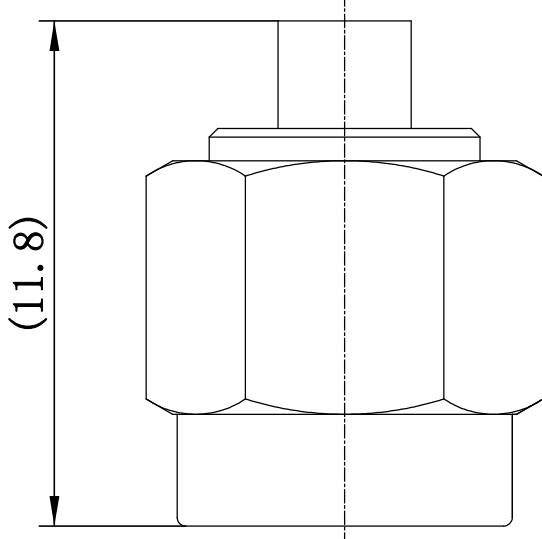


This document contains proprietary information and such information may not be disclosed to others for any purposes, not used for sales/marketing/procurement purposes without written permission

- 1 Electrical
 - 1.1 Impedence 50 Ω
 - 1.2 Frequency DC~6GHz
 - 1.3 VSWR 1.20:1
- 2 Environmental&Mechanical
 - 2.1 Temperature range -40°C~+70°C
 - 2.2 RoHs Compliant Yes
 - 2.3 Durability >500 cycles
- 3 Materials&plating
 - 3.1 Body: Brass, Gold Plated
 - 3.2 Insulator: Teflon,
 - 3.3 Contact Pin: Brass, Gold plated
 - 3.4 Nut: Stainless Steel, Passivated
 - 3.5 Gasket: Silicon Rubber (red color)



Notes:

- 1. ALL SPECIFICATIONS ARE SUBJECT TO CHANGE NOTICE AT ANY TIME
- 2. CUSTOMER OUTLINE DRAWING FOR REFERENCE ONLY

REV	DESCRIPTION OF REVISION	ECN NO.	BY	DATE	APPROVED
A	Initial Release		T. Haiyun	18/3/11	18/3/11
B	New Release		T. Haiyun	23/5/14	23/5/14

DRAWN: T. Haiyun 18/3/11 ENGINEER: C. Tao 18/3/11 APPROVED: W. Qiang 18/3/11 TOLERANCES UNLESS OTHERWISE SPECIFIED X ±0.50 .X ±0.20 .XX ±0.10 ANGLES ±1°	TITLE: RF Coaxial Connector SMA Male Conn. for .086 Cable	 www.terulai.com
PART NO: SMA-JE203	DIMENSION IN MILLIMETERS (mm)	SCALE: N/A SHEET: 1/1 REV: A