

This document contains proprietary information and such information may not be disclosed to others for any purposes, not used for sales/marketing/procurement purposes without written permission

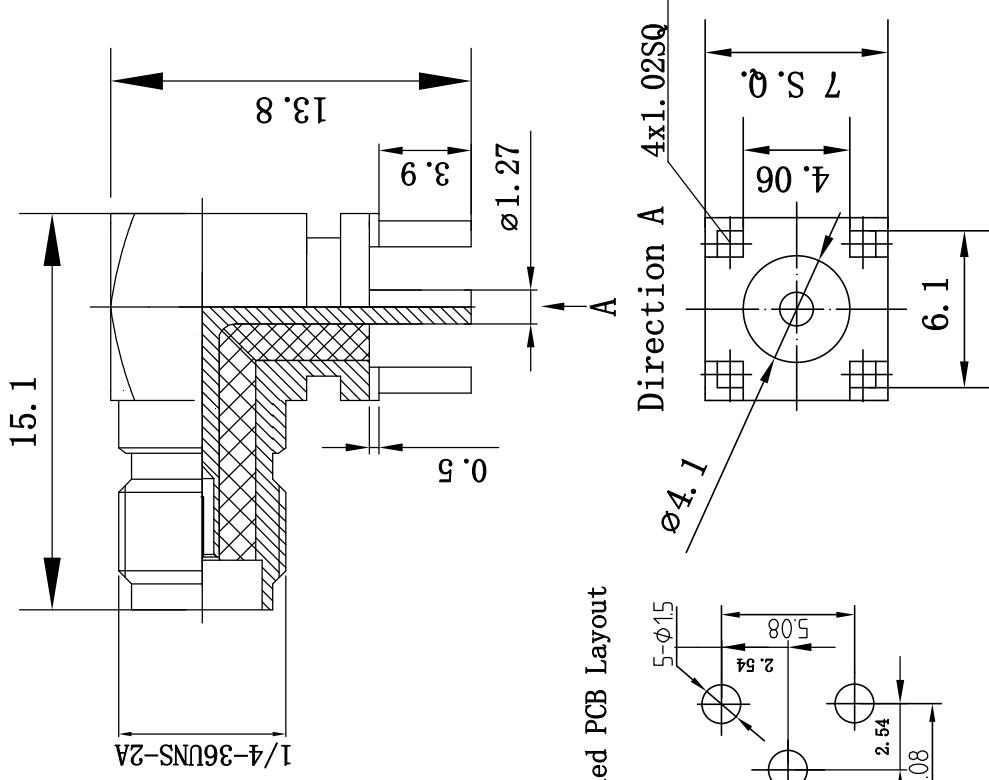
- 1 Electrical
 - 1.1 Impedence 50 Ω
 - 1.2 Frequency DC ~ 3GHz
 - 1.2 Dielectric withstanding voltage 1000V (volts RMS)
 - 1.3 Center contact resistance $\leq 3M \Omega$
 - 1.4 Outer contact resistance $\leq 2M \Omega$
 - 1.5 Insulation resistance: $\geq 50000M \Omega$
 - 1.6 VSWR: 1:15 : 1

- 2 Environmental & Mechanical

- 2.1 Temperature range -45 °C ~ 85 °C
- 2.2 RoHS Compliant
- 2.3 Durability > 500 cycles

- 3 Materials & plating

- 3.1 Body: Brass, Gold plated
- 3.2 Insulator: Teflon
- 3.3 Contact Pin: Beryllium Copper Gold plated



Recommended PCB Layout

Notes:

1. ALL SPECIFICATIONS ARE SUBJECT TO CHANGE NOTICE AT ANY TIME
2. CUSTOMER OUTLINE DRAWING FOR REFERENCE ONLY

REV	DESCRIPTION OF REVISION	ECN NO.	BY	DATE	APPROVED
A	Initial Release		T. Haiyun	12/7/08	12/7/08

DRAWN: T. Haiyun 12/07/08		TITLE: SMA-KWHD1		www.rf-connector-china.com	
ENGINEER: C. Tao 12/07/08		SMA Female Right Angle Conn. For PCB			
APPROVED: W. Qiang 12/07/08		DIMENSION IN MILLIMETERS (mm)			
TOLERANCES UNLESS OTHERWISE SPECIFIED		SCALE: 1:1			
X ±0.50		SHEET: 1/1			
XX ±0.20		REV: A			
ANGLES ±1°		PART NO: TEL-SMAF-5228			
SIZE: A4		REV: A			