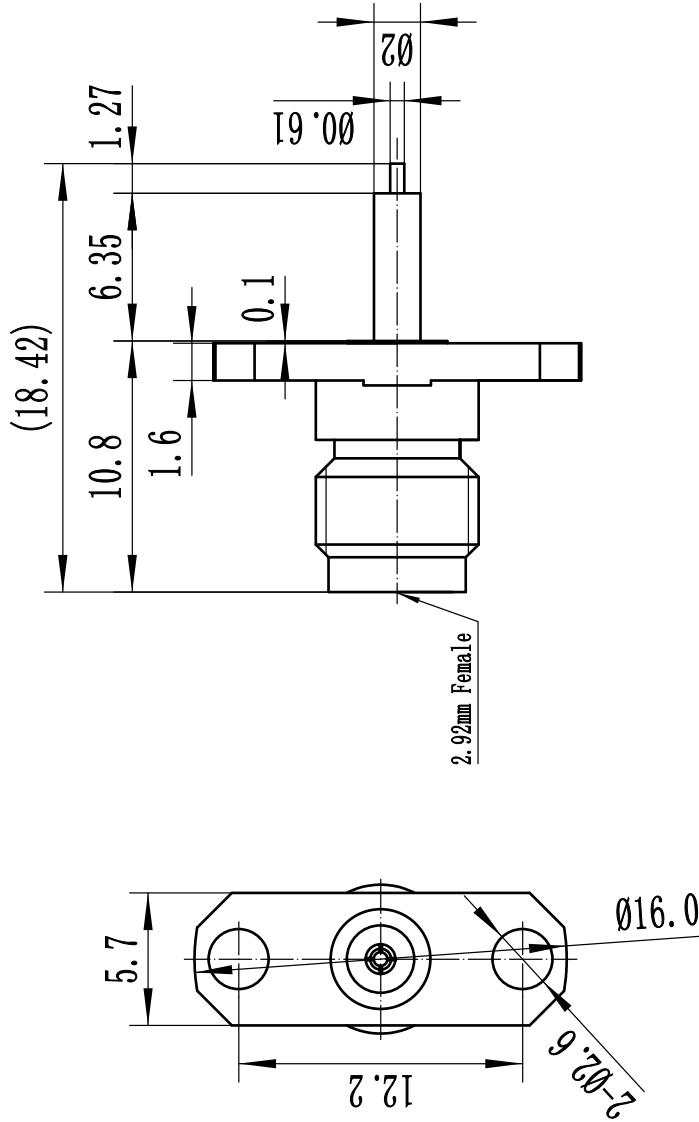



This document contains proprietary information and such information may not be disclosed to others for any purposes, not used for sales/marketing/procurement purposes without written permission

- 1 Electrical
  - 1.1 Impedance: 50  $\Omega$
  - 1.2 Frequency: DC-40GHz
  - 1.3 VSWR: 1.25:1
- 2 Mechanical&Environmental
  - 2.1 Temperature range -55°C ~+165°C
  - 2.2 Durability(matings) >500
  - 2.3 RoHs Compliant Yes
- 3 Material&Finish
  - 3.1 Pin contact: Beryllium-Copper, gold plated
  - 3.2 Body: Stainless Steel(SU303), Passivated
  - 3.3 Insulators: PEI
- 4 Interface Standards
  - 4.1 2.92 MIL-STD-348A



REV: A	DESCRIPTION OF REVISION: Initial Release	ECN NO.:	BY: T. Shihua	DATE: 01/04/17	APPROVED: 01/04/17
					
TITLE: RF Coaxial Connector <span style="float: right;">www.carl.com</span>					
2.92mm Female Flange Conn. <span style="float: right;">DIMENSION IN MILLIMETERS (mm)</span>					
PART NO: 2.92-KFD9G <span style="float: right;">SCALE: N/A</span>					
DRAWN: T. Shihua 01/04/17 <span style="float: right;">SIZE: A4</span>					
ENGINEER: C. Tao 01/04/17 <span style="float: right;">SHEET: 1/1</span>					
APPROVED: W. Qiang 01/04/17 <span style="float: right;">REV: A</span>					
TOLERANCES UNLESS OTHERWISE SPECIFIED					
X ±0.50					
.X ±0.20					
.XX ±0.10					
ANGLES °					

Notes:

1. ALL SPECIFICATIONS ARE SUBJECT TO CHANGE NOTICE AT ANY TIME
2. CUSTOMER OUTLINE DRAWING FOR REFERENCE ONLY