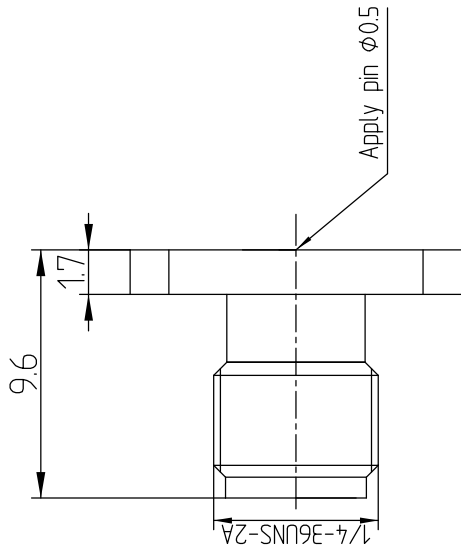


This document contains proprietary information and such information may not be disclosed to others for any purposes, not used for sales/marketing/procurement purposes without written permission



1. Electrical
  - 1.1 Impedance  $50 \Omega$
  - 1.2 Frequency DC ~18GHz
  - 1.2 Dielectric withstanding voltage 1000V (volts RMS)
  - 1.3 Center contact resistance  $\leq 3M \Omega$
  - 1.4 Outer contact resistance  $\leq 2M \Omega$
  - 1.5 Insulation resistance:  $\geq 5000M \Omega$
  - 1.6 VSWR 1.30:1

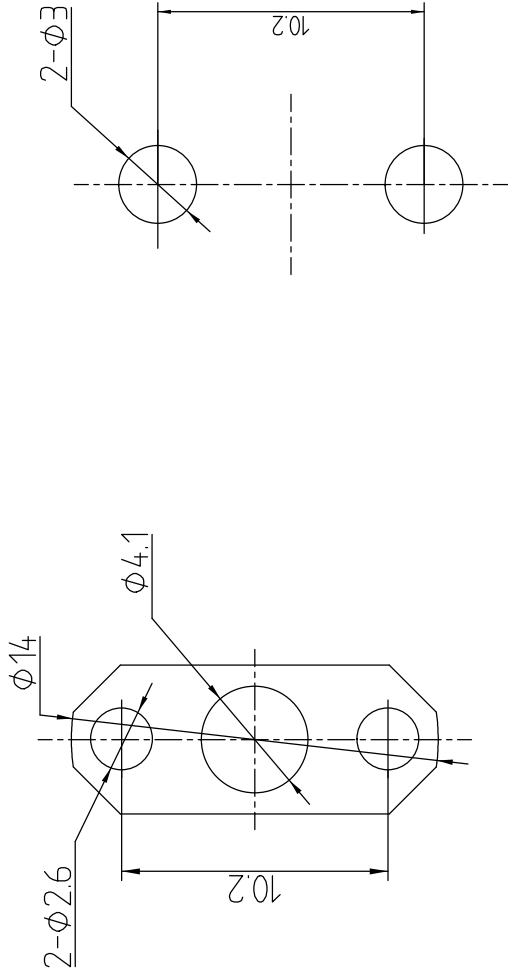
2. Environmental & Mechanical
  - 2.1 Temperature range  $-45^{\circ}\text{C} \sim 85^{\circ}\text{C}$
  - 2.2 RoHS Compliant
  - 2.3 Durability  $>500$  cycles

3. Materials & Plating
  - 3.1 Body: Stainless Steel, Passivated
  - 3.2 Insulator: Teflon
  - 3.3 Contact Pin: Beryllium-copper • Gold plated

**Notes:**

1. ALL SPECIFICATIONS ARE SUBJECT TO CHANGE NOTICE AT ANY TIME
2. CUSTOMER OUTLINE DRAWING FOR REFERENCE ONLY

**Mounting Hole**



REV	DESCRIPTION OF REVISION	ECN NO.	BY	DATE	APPROVED
A	Initial Release		T. Haiyum	15/09/17	15/09/17

DRAWN: T. Haiyum 15/09/17	TITLE:
ENGINEER: C. Teo 15/09/17	RF Coaxial Connector
APPROVED: W. Giang 12/07/08	SMA Female Flange Conn. Terminal
TOLERANCES UNLESS OTHERWISE SPECIFIED	
X $\pm 0.50$	
.X $\pm 0.20$	
.XX $\pm 0.10$	
ANGLES $\neq 1^{\circ}$	

www.trf.com		DIMENSION IN MILLIMETERS (mm)	
SIZE: A4	SCALE: N/A	SHEET: 1/1	REV: A
PART NO: SMA-KFDO. 5G			