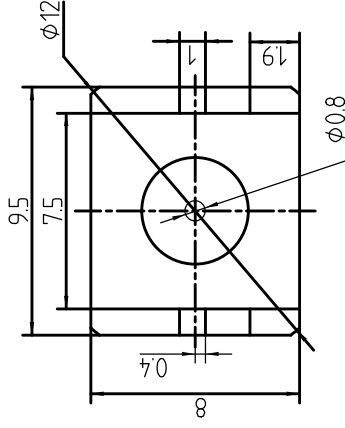
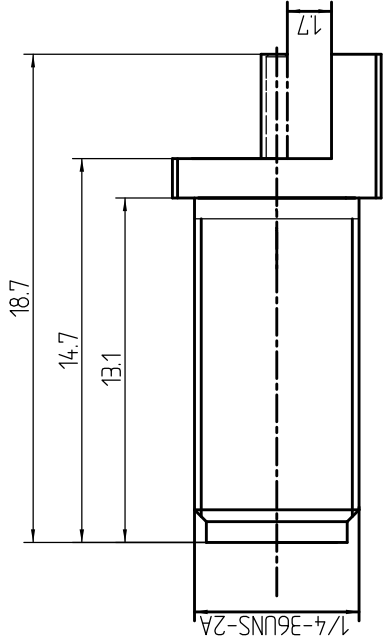


This document contains proprietary information and such information may not be disclosed to others for any purposes, not used for sales/marketing/procurement purposes without written permission

- 1 Electrical
 - 1.1 Impedence 50 Ω
 - 1.2 Frequency DC ~6GHz
 - 1.2 Dielectric withstanding voltage 1000V (volts RMS)
 - 1.3 Center contact resistance $\leq 3M \Omega$
 - 1.4 Outer contact resistance $\leq 2M \Omega$
 - 1.5 Insulation resistance: $\geq 5000M \Omega$

- 2 Environmental & Mechanical
 - 2.1 Temperature range -45 $^{\circ}$ C ~125 $^{\circ}$ C
 - 2.2 RoHS Compliant
 - 2.3 Durability >500 cycles


- 3 Materials & plating
 - 3.1 Body: Brass; Gold, plated
 - 3.2 Insulator: Teflon
 - 3.3 Contact Pin: Bronze; Gold, plated



Notes:

1. ALL SPECIFICATIONS ARE SUBJECT TO CHANGE NOTICE AT ANY TIME
2. CUSTOMER OUTLINE DRAWING FOR REFERENCE ONLY

REV	DESCRIPTION OF REVISION	ECN NO.	BY	DATE	APPROVED
A	Initial Release		T. Haiyum	24/7/13	24/7/13

DRAWN: T. Haiyum 24/07/13 ENGINEER: C. Teo 24/07/13 APPROVED: W. Giang 24/07/13 TOLERANCES UNLESS OTHERWISE SPECIFIED X ±0.50 .X ±0.20 .XX ±0.10 ANGLES ° ±1°	TITLE: RF Coaxial Connector SMA Female B/H Conn. End Launch		 www.teruilai.com
PART NO: SMA-KYHDC1	SCALE: N/A	SHEET: 1/1	REV: A