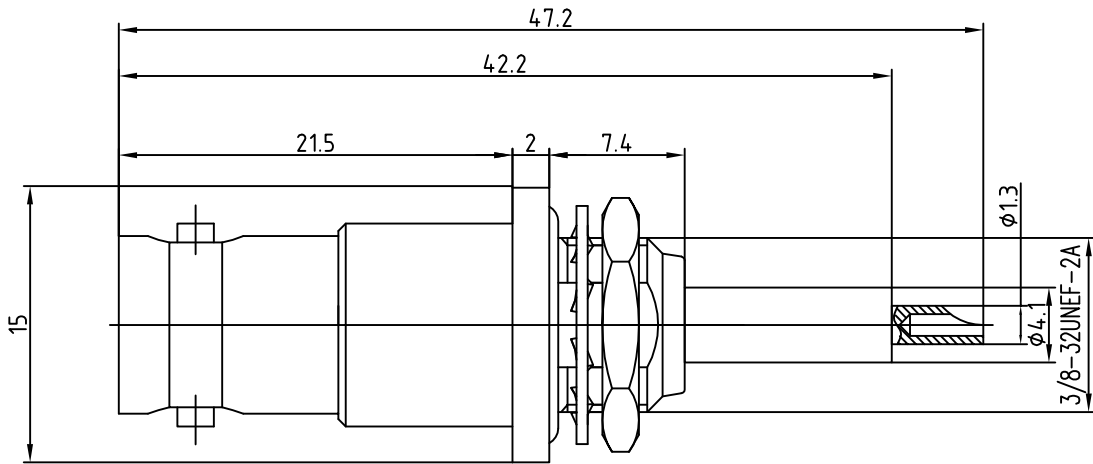


TRL120522

This document contains proprietary information and such information may not be disclosed to others for any purposes, nor used for sales/marketing/procurement purposes without written permission



1 Electrical

1.1 Frequency: 0-0.3GHz

2 Mechanical

2.1 Center contact: solder

3 Environmental

3.1 Operating temperature -65° to 165°

3.2 RoHs compliant

4 Material&Finish

4.1 Inner Contact: brass, gold plated

4.2 Outer Contact: nickel, gold plated

4.3 Insulators: PTFE

FIRST ANGLE PROJECTION		SCALE	SHV-JYD2 RF COAXIAL CONNECTOR	UNITS	UNLESS OTHERWISE SPECIFIED DIMENSIONS ARE mm, TOLERANCES ARE: FRACTIONS DECIMALS ANGLES
THIRD ANGLE PROJECTION		1:1		mm	
	NAME	DATE		REV	.X± .20 ±1°
DRAWN	Tomson Tang	1-3-12		V1.0	.XX± .10
CHECKED	Magi Wang	1-3-12			.XXX±
APPROVED	Teresa Shen	1-3-12	Xi'an T-rely Electronics Co.,Ltd.		