

This document contains proprietary information and such information may not be disclosed to others for any purposes, not used for sales/marketing/procurement purposes without written permission

REV	DESCRIPTION OF REVISION	ECN NO.	BY	DATE	APPROVED
A	Initial Release	—	T. Shihua	22/07/17	22/07/17

1 Electrical

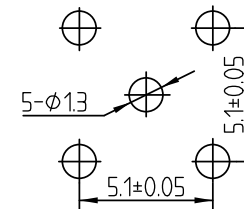
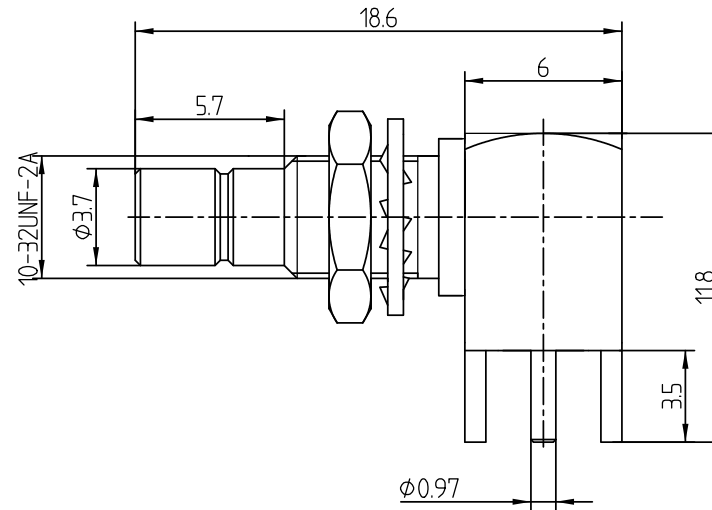
- 1.1 Impedance: 50 Ω
- 1.2 Frequency: 0~4GHz
- 1.3 Insulation resistance: $\geq 1000M\Omega$
- 1.4 Dielectric strength: 750V
- 1.5 Center Contact resistance: $\leq 6m\Omega$
- 1.6 Outer contact resistance: $\leq 1m\Omega$

2 Environmental&Mechanical

- 2.1 Temperature range -45℃~85℃
- 2.2 RoHs Compliant
- 2.3 Durability 500 cycles



3 Materials&plating

- 3.1 Inner Contact: Brass, gold plating
- 3.1 Outer Contact: brass, gold plated
- 3.3 Insulators: Teflon
- 3.4 Hex nut: Brass, gold plating
- 3.5 Washer: Brass, gold plating



Notes:

- 1. ALL SPECIFICATIONS ARE SUBJECT TO CHANGE NOTICE AT ANY TIME
- 2. CUSTOMER OUTLINE DRAWING FOR REFERENCE ONLY

DRAWN : T. Shihua 22/07/17 ENGINEER: C. Tao 22/07/17 APPROVED : W. Qiang 22/07/17	TITLE: RF Coaxial Connector SMB male Bulkhead R/A conn. For PCB	 www.trl-rf.com
TOLERANCES UNLESS OTHERWISE SPECIFIED X ±0.50 .X ±0.20 .XX ±0.10 ANGLES ±1°	 DIMENSION IN MILLIMETERS (mm)	
PART NO: SMB-JYWH02	SIZE: A4	SCALE: N/A
	SHEET: 1/1	REV: A