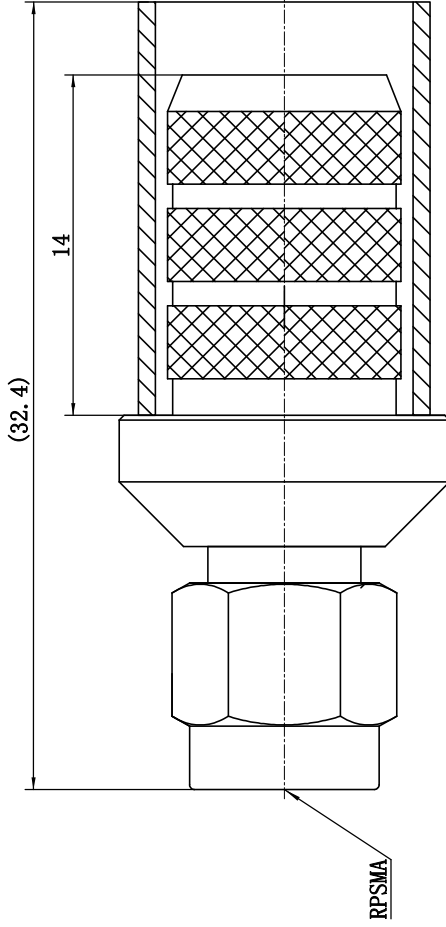


This document contains proprietary information and such information may not be disclosed to others for any purposes, not used for sales/marketing/procurement purposes without written permission

- 1 Electrical
 - 1.1 Impedance 50 Ω
 - 1.2 Frequency DC~6GHz
 - 1.3 VSWR 1.30:1
- 2 Environmental&Mechanical
 - 2.1 Temperature range -45°C~+125°C
 - 2.2 RoHs Compliant
 - 2.3 Durability >500 cycles
- 3 Materials&plating
 - 3.1 Body: Brass, Nickel plated
 - 3.2 Insulator: Teflon
 - 3.3 Contact Pin: Beryllium-copper, Gold plated
 - 3.4 Nut: Brass, Suco-Plated
 - 3.5 Gasket: Silicon Rubber (red color)



Notes:

- 1. ALL SPECIFICATIONS ARE SUBJECT TO CHANGE NOTICE AT ANY TIME
- 2. CUSTOMER OUTLINE DRAWING FOR REFERENCE ONLY

REV	DESCRIPTION OF REVISION	ECN NO.	BY	DATE	APPROVED
A	Initial Release		T. Haiyum	23/5/07	23/5/07

DRAWN: T. Haiyum 23/5/07 ENGINEER: C. Teo 23/5/07 APPROVED: W. Qiang 23/5/07 TOLERANCES UNLESS OTHERWISE SPECIFIED X ±0.50 .X ±0.20 .XX ±0.10 ANGLES ±1°	TITLE: RF Coaxial Connector RPSMA Male Str. Conn. for LMR400 Cable	 www.tenulal.com
DIMENSION IN MILLIMETERS (mm)		DIMENSION IN MILLIMETERS (mm)
PART NO: RPSMA-k400Y	SCALE: N/A	SHEET: 1/1
SIZE: A4	REV: A	