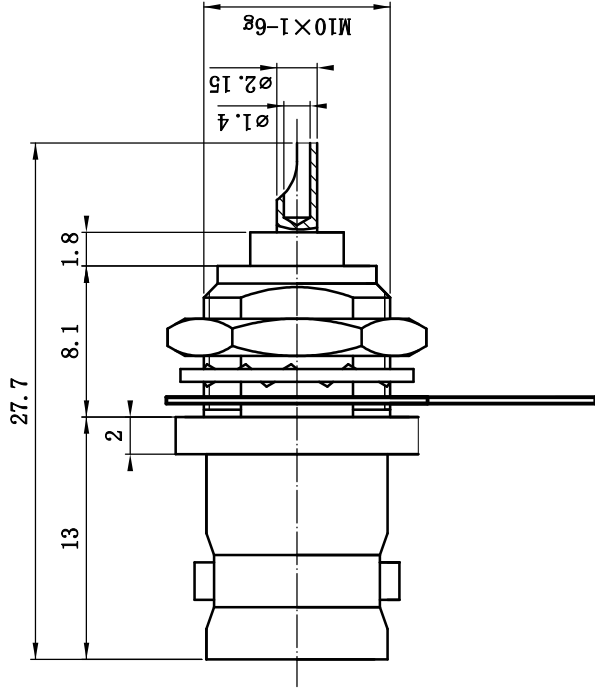


This document contains proprietary information and such information may not be disclosed to others for any purposes, not used for sales/marketing/procurement purposes without written permission

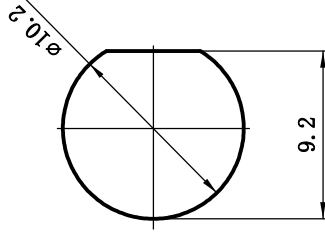
- 1 Electrical
  - 1.1 Impedence 50 Ω
  - 1.2 Frequency DC-4GHz
  - 1.3 Dielectric withstanding voltage 1000V (volts RMS)
  - 1.4 Center contact resistance ≤ 3MΩ
  - 1.5 Outer contact resistance ≤ 2MΩ
  - 1.6 Insulation resistance: ≥5000MΩ
  - 1.7 VSWR 1.25:1

- 2 Environmental&Mechanical
  - 2.1 Temperature range -65°C~125°C
  - 2.2 RoHs Compliant
  - 2.3 Durability >500 cycles

- 3 Materials&plating
  - 3.1 Body: Brass, Nickel plated
  - 3.2 Insulator: Teflon
  - 3.3 Contact Pin: Phosphor Bronze, Gold plated





Recommended Mounting Hole



Notes:

1. ALL SPECIFICATIONS ARE SUBJECT TO CHANGE NOTICE AT ANY TIME
2. CUSTOMER OUTLINE DRAWING FOR REFERENCE ONLY

REV	DESCRIPTION OF REVISION	ECN NO.	BY	DATE	APPROVED
A	Initial Release		T. Shihua	02/08/13	02/08/13

DRAWN: T. Shihua 02/08/13	TITLE: RF Coaxial Connector	 www.rf-connector-china.com
ENGINEER: C. Tao 02/08/13	BNC Female Bulkhead Conn. For Terminal	
APPROVED: W. Qiang 02/08/13		 DIMENSION IN MILLIMETERS (mm)
TOLERANCES UNLESS OTHERWISE SPECIFIED		
X ±0.50		SCALE: N/A SHEET: 1/1 REV: A
.X ±0.20		
.XX ±0.10		
ANGLES ±1°		
PART NO: BNC-KY7		