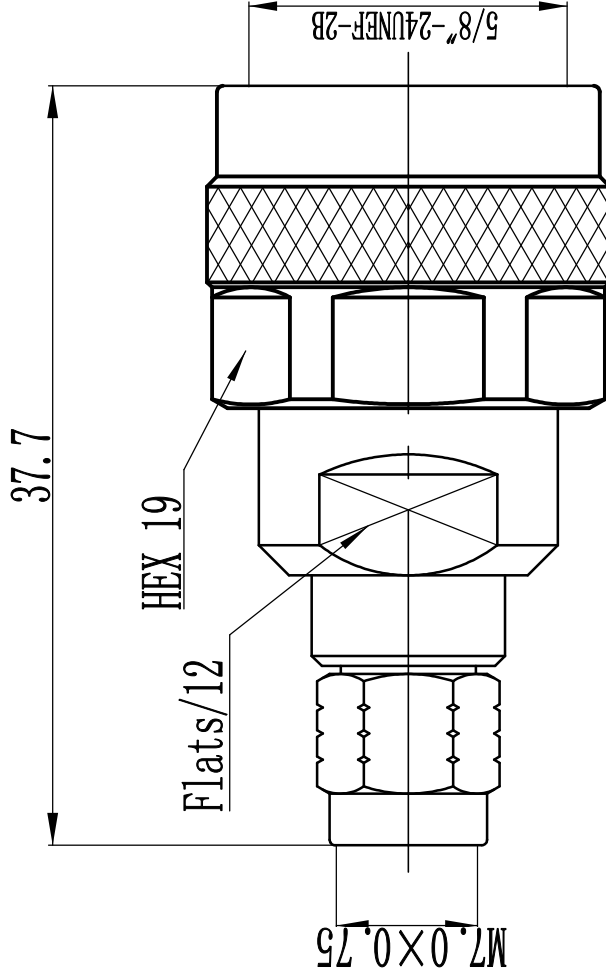


This document contains proprietary information and such information may not be disclosed to others for any purposes, not used for sales/marketing/procurement purposes without written permission

- 1 Electrical
  - 1.1 Impedance:  $50\ \Omega$
  - 1.2 Frequency: DC-18GHz
  - 1.3 VSWR: 1.2:1
- 2 Mechanical&Environmental
  - 2.1 Temperature range  $-45^{\circ}\text{C} \sim +85^{\circ}\text{C}$
  - 2.2 Durability(matings) >500
  - 2.3 RoHs Compliant Yes

- 3 Material&Finish
  - 3.1 Pin contact: Beryllium-Copper, gold plated
  - 3.2 Body: Stainless Steel(SU303), Passivated
  - 3.3 Insulators: PEI

- 4 Interface Standards
  - 4.1 N MIL-STD-348A
  - 4.2 2.4 IEEE STD 287-2007



REV	DESCRIPTION OF REVISION	ECN NO.	BY	DATE	APPROVED
A	Initial Release		T. Shihua	1/8/14	1/8/14

**Notes:**

- 1. ALL SPECIFICATIONS ARE SUBJECT TO CHANGE NOTICE AT ANY TIME
- 2. CUSTOMER OUTLINE DRAWING FOR REFERENCE ONLY

DRAWN: T. Shihua 1/8/14
ENGINEER: C. Tao 1/8/14
APPROVED: W. Qiang 1/8/14
TOLERANCES UNLESS OTHERWISE SPECIFIED
X $\pm 0.50$
.XX $\pm 0.20$
ANGLES $\neq 1^{\circ}$

TITLE:		Precision Adapter		www.teruihai.com	
PART NO:		N/2.4-JUG		DIMENSION IN MILLIMETERS (mm)	
SCALE:		N/A		SHEET: 1/1	
SIZE:		A4		REV: A	