

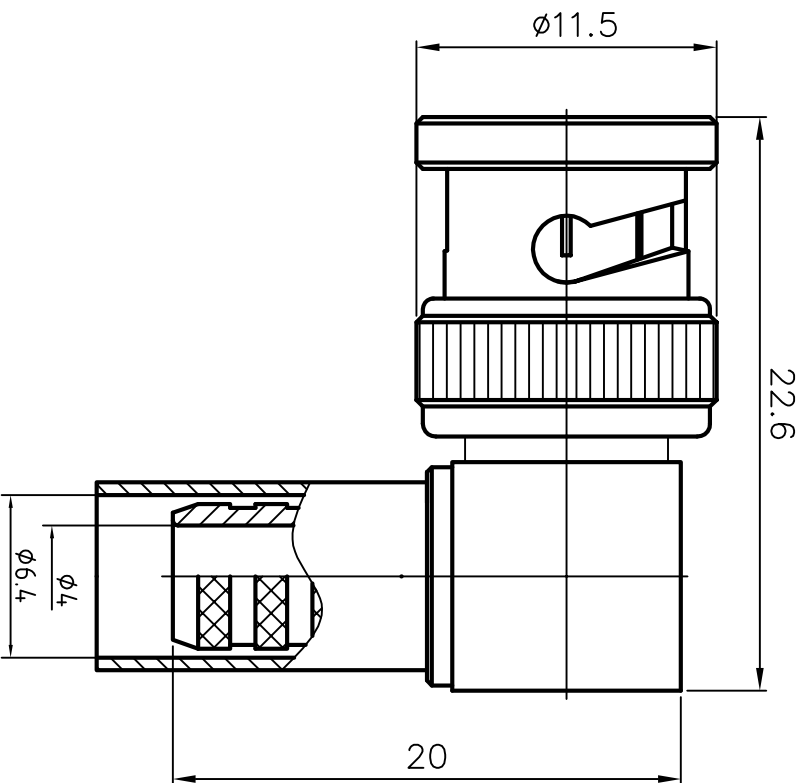
This document contains proprietary information and such information may not be disclosed to others for any purposes, not used for sales/marketing/procurement purposes without written permission

REV	DESCRIPTION OF REVISION	ECN NO.	BY	DATE	APPROVED
A	Initial Release		T. Shihua	26/9/13	26/9/13

- 1 Electrical**
- 1.1 Impedance 50 Ω
 - 1.2 Dielectric withstanding voltage 1000V(volts RMS)
 - 1.3 Center contact resistance $\leq 3M\Omega$
 - 1.4 Outer contact resistance $\leq 2M\Omega$
 - 1.5 Insulation resistance: $\geq 5000M\Omega$


- 2 Environmental&Mechanical**
- 2.1 Temperature range $-55^{\circ}C \sim 155^{\circ}C$
 - 2.2 RoHS Compliant
 - 2.3 Durability >500 cycles

- 3 Materials&plating**
- 3.1 Body: Brass, nickel plated
 - 3.2 Insulator: Teflon
 - 3.3 Contact Pin: Brass, Gold plated
 - 3.4 Coupling nut: Brass, nickel plated
 - 3.5 Washer: Beryllium copper, nickel plated
 - 3.6 Ferrule: Brass, nickel plated



Notes:

- 1. ALL SPECIFICATIONS ARE SUBJECT TO CHANGE NOTICE AT ANY TIME
- 2. CUSTOMER OUTLINE DRAWING FOR REFERENCE ONLY

DRAWN: T. Shihua 26/9/13	TITLE: Mini BNC-JW240Y	 www.trelytech.com
ENGINEER: C. Too 26/9/13	Mini-BNC male Right Angle Connector For LMR240 cable	
APPROVED: W. Qiang 26/9/13	PART NO: TRL-Mini-BNCM-9260	SIZE: A4
TOLERANCES UNLESS OTHERWISE SPECIFIED		SCALE: 1:1
X 0.50		SHEET: 1/1
X 0.20		REV: A
XX ±0.10		
ANGLES 3°		

1 2 3 4