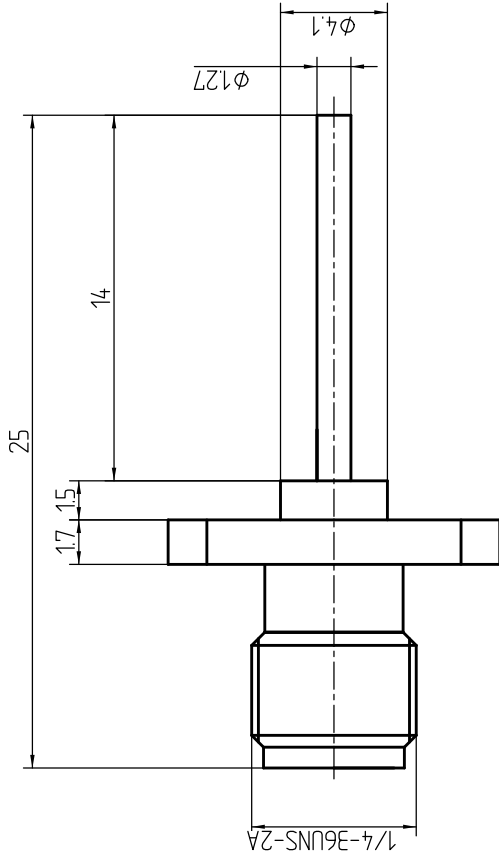


This document contains proprietary information and such information may not be disclosed to others for any purposes, not used for sales/marketing/procurement purposes without written permission



1. Electrical
- 1.1 Impedance: 50 Ω
  - 1.2 Frequency: DC ~6GHz
  - 1.3 Dielectric withstanding voltage: 1000V (volts RMS)
  - 1.4 Center contact resistance: ≤ 3MΩ
  - 1.5 Outer contact resistance: ≤ 2MΩ
  - 1.6 Insulation resistance: ≥ 5000MΩ
  - 1.7 VSWR: 1.2max

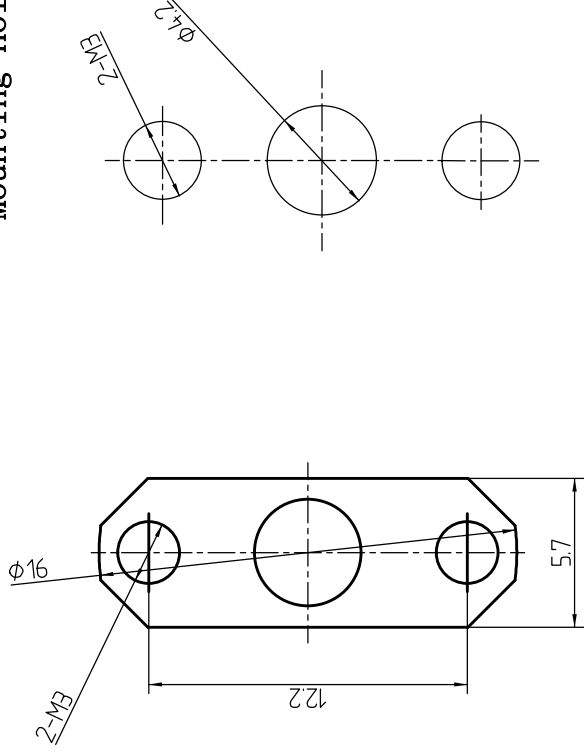
2. Environmental & Mechanical

- 2.1 Temperature range: -45°C ~ 85°C
- 2.2 RoHS Compliant
- 2.3 Durability: >500 cycles

3. Materials & Plating

- 3.1 Body: Brass, Gold plated
- 3.2 Insulator: Teflon
- 3.3 Contact Pin: Beryllium-copper • Gold plated

Mounting Hole



REV	DESCRIPTION OF REVISION	ECN NO.	BY	DATE	APPROVED
A	Initial Release		T. Haiyum	15/09/17	15/09/17

DRAWN: T. Haiyum 15/09/17		TITLE: RF Coaxial Connector	
ENGINEER: C. Teo 15/09/17		www.tfh-f.com	
APPROVED: W. Giang 12/07/08		DIMENSION IN MILLIMETERS (mm)	
TOLERANCES UNLESS OTHERWISE SPECIFIED		SIZE: A4	
X ±0.50		SCALE: N/A	SHEET: 1/1
.X ±0.20			REV: A
.XX ±0.10			
ANGLES ±1°			
PART NO: SMA-KFD1034		REV: A	

Notes:

- 1. ALL SPECIFICATIONS ARE SUBJECT TO CHANGE NOTICE AT ANY TIME
- 2. CUSTOMER OUTLINE DRAWING FOR REFERENCE ONLY