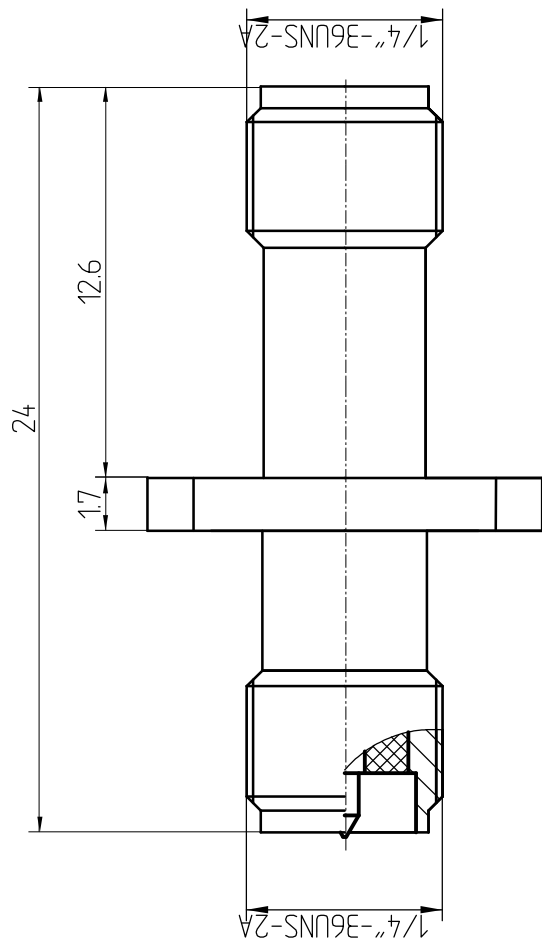
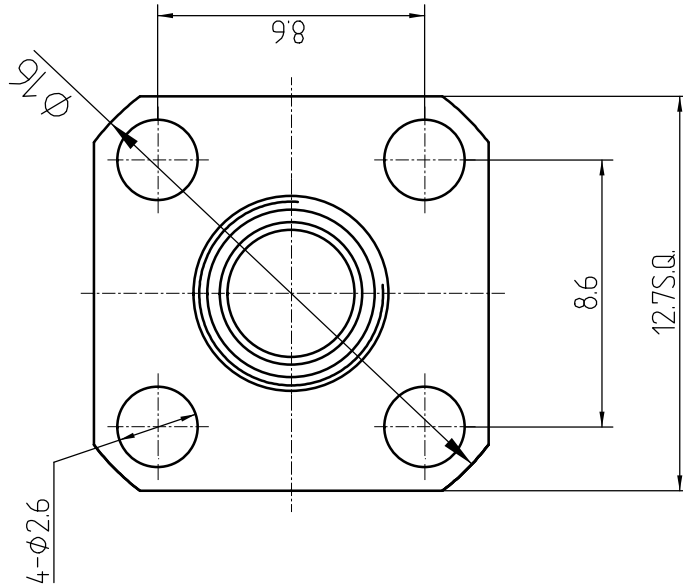


This document contains proprietary information and such information may not be disclosed to others for any purposes, not used for sales/marketing/procurement purposes without written permission

REV	DESCRIPTION OF REVISION	ECN NO.	BY	DATE	APPROVED
A	Initial Release		T. Shihua	16/6/15	16/6/15



- 1 Electrical data
- 1.1 Impedance: 50 Ω
- 1.2 Frequency: DC-6GHz
- 1.3 VSWR 1:20:1

- 2 Mechanical data
- 2.1 Temperature range -45°C ~+125°C
- 2.2 Durability(matings) >500

- 3 Material&Finish
- 3.1 Pin contact: Beryllium-copper, Silver plated
- 3.2 Body: Brass,SuCo-plated
- 3.3 Insulators: PTFE

Notes:

- 1. ALL SPECIFICATIONS ARE SUBJECT TO CHANGE NOTICE AT ANY TIME
- 2. CUSTOMER OUTLINE DRAWING FOR REFERENCE ONLY

DRAWN: T. Shihua 16/6/15 ENGINEER: C. Tao 16/6/15 APPROVED: W. Giang 16/6/15 TOLERANCES UNLESS OTHERWISE SPECIFIED X ±0.50 XX ±0.20 ANGLES ±1°	TITLE: RF Adaptor RPSMA Female to Female Flange Adaptor	 www.terujiai.com
PART NO: RPSMA/SMA-JFK	SCALE: N/A SIZE: A4	DIMENSION IN MILLIMETERS (mm) SHEET: 1/1 REV: A