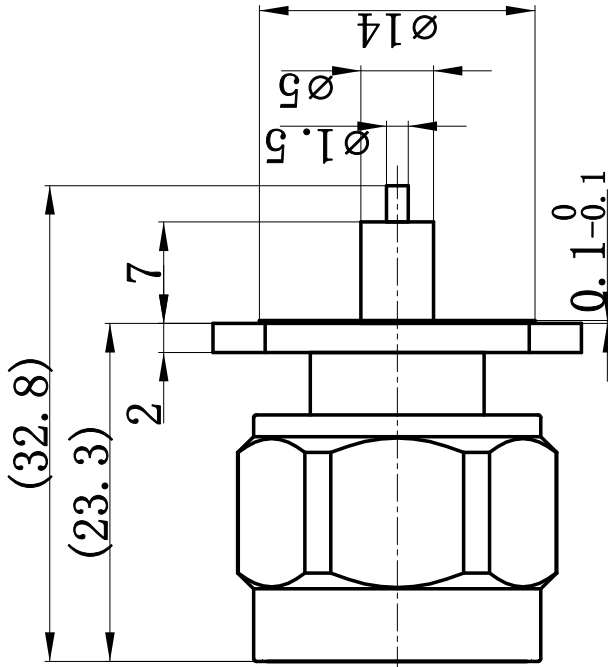


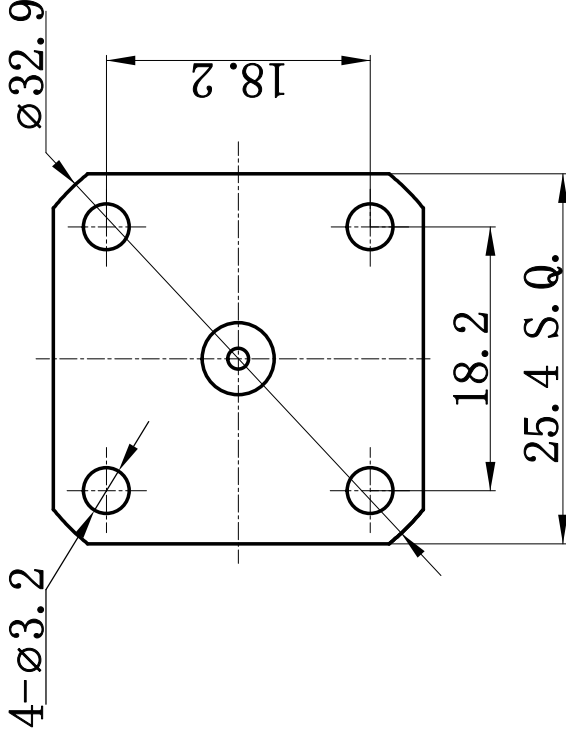
This document contains proprietary information and such information may not be disclosed to others for any purposes, not used for sales/marketing/promotion purposes without written permission



- 1 Electrical
  - 1.1 Impedance 50 Ω
  - 1.2 Frequency DC-6GHz
  - 1.3 VSWR 1.15max
- 2 Environmental & Mechanical
  - 2.1 Temperature range -45°C ~ 125°C
  - 2.2 RoHS Compliant
  - 2.3 Durability >500 cycles
- 3 Materials & plating
  - 3.1 Body: Brass, Suco-plated
  - 3.2 Insulator: Teflon
  - 3.3 Contact Pin: Brass, Gold plated
  - 3.4 Housing: Brass, Suco-plated
  - 3.5 Coupling Nut: Brass, Suco-plated
  - 3.6 Gasket: Silicon rubber (red color)

Notes:

- 1. ALL SPECIFICATIONS ARE SUBJECT TO CHANGE NOTICE AT ANY TIME
- 2. CUSTOMER OUTLINE DRAWING FOR REFERENCE ONLY



REV	DESCRIPTION OF REVISION	ECN NO.	BY	DATE	APPROVED
A	Initial Release		T. Shihua	22/12/16	22/12/16

DRAWN: T. Shihua 22/12/16	TITLE: RF Coaxial Connector		www.teruilai.com
ENGINEER: C. Tao 22/12/16	N Male Flange Connector Receptacle		
APPROVED: W. Qiang 22/12/16	PART NO: N-JFD16A		DIMENSION IN MILLIMETERS (mm)
TOLERANCES UNLESS OTHERWISE SPECIFIED	SCALE: N/A	SHEET: 1/1	
X ±0.50			REV: B
.X ±0.20			
.XX ±0.10			
ANGLES ±1°			

