

This document contains proprietary information and such information may not be disclosed to others for any purposes, not used for sales/marketing/procurement purposes without written permission

1 Electrical

- 1.1 Impedance: $50\ \Omega$
- 1.2 Frequency: DC-65GHz
- 1.3 VSWR: 1:40:1

2 Mechanical&Environmental

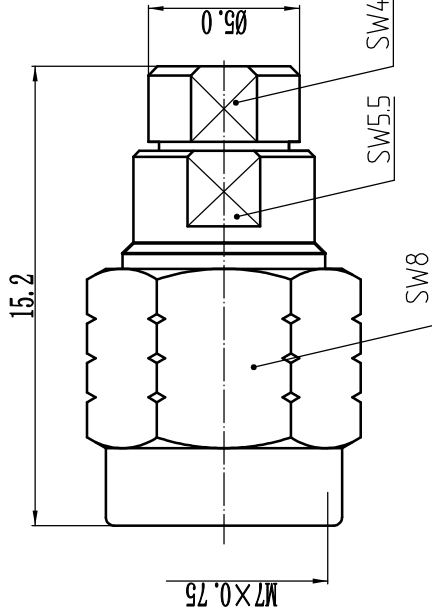
- 2.1 Temperature range $-45^{\circ}\text{C} \sim +125^{\circ}\text{C}$
- 2.2 Durability(matings) >500
- 2.3 RoHs Compliant Yes

3 Material&Finish

- 3.1 Pin contact: Beryllium-Copper, gold plated
- 3.2 Body: Stainless Steel(SU303), Passivated
- 3.3 Insulators: PEI

4 Interface Standards

- 4.1 1.85mm IEC-61169



Notes:

- 1. ALL SPECIFICATIONS ARE SUBJECT TO CHANGE NOTICE AT ANY TIME
- 2. CUSTOMER OUTLINE DRAWING FOR REFERENCE ONLY

REV	DESCRIPTION OF REVISION	ECN NO.	BY	DATE	APPROVED
A	Initial Release		T. Shihua	1/8/14	1/8/14

DRAWN: T. Shihua 1/8/14		TITLE: Precision RF Connector	
ENGINEER: C. Tao 1/8/14		www.teruihai.com	
APPROVED: W. Qiang 1/8/14		1.85mm Male Connector Gore3506 Cable	
TOLERANCES UNLESS OTHERWISE SPECIFIED		DIMENSION IN MILLIMETERS (mm)	
X	+0.50	SCHEMATIC	
.X	+0.20	SIZE: A4	
.XX	+0.10	SCALE: N/A	
ANGLES	*°	SHEET: 1/1	
PART NO: 1.85-J3506G		REV: A	

