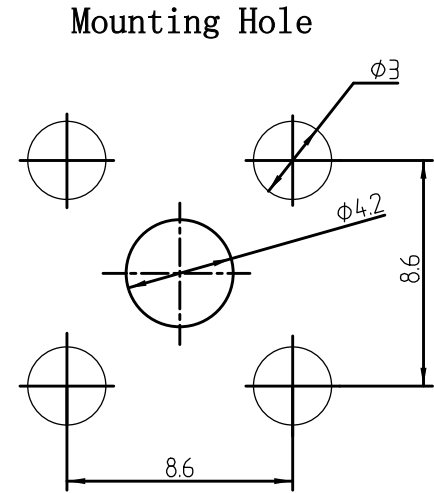
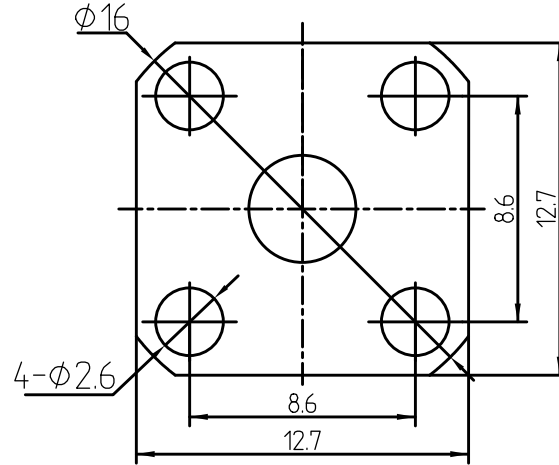
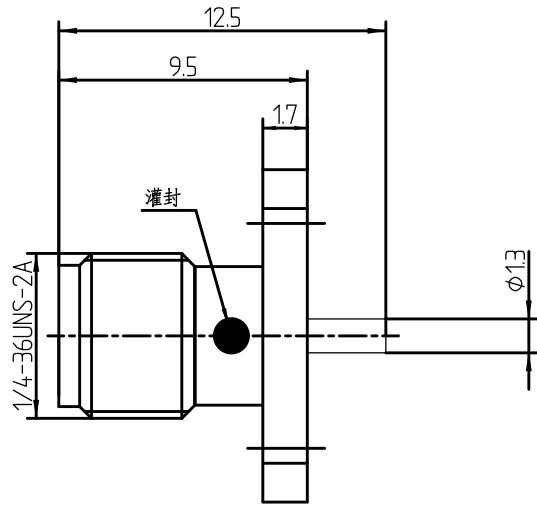


This document contains proprietary information and such information may not be disclosed to others for any purposes,
not used for sales/marketing/procurement purposes without written permission

REV	DESCRIPTION OF REVISION	ECN NO.	BY	DATE	APPROVED
A	Initial Release	—	T.Haiyun	15/09/17	15/09/17



1 Electrical

- 1.1 Impedance 50 Ω
- 1.2 Frequency DC ~6GHz
- 1.2 Dielectric withstanding voltage 1000V(volts RMS)
- 1.3 Center contact resistance ≤ 3MΩ
- 1.4 Outer contact resistance ≤ 2MΩ
- 1.5 Insulation resistance: ≥5000MΩ
- 1.6 VSWR 1.2max

2 Environmental&Mechanical


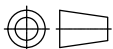
- 2.1 Temperature range -45℃~85℃
- 2.2 RoHs Compliant
- 2.3 Durability >500 cycles

3 Materials&plating

- 3.1 Body: Brass, Gold plated
- 3.2 Insulator: Teflon
- 3.3 Contact Pin: Bronze, Gold plated

Notes:

- 1. ALL SPECIFICATIONS ARE SUBJECT TO CHANGE NOTICE AT ANY TIME
- 2. CUSTOMER OUTLINE DRAWING FOR REFERENCE ONLY

DRAWN : T.Haiyun 15/09/17 ENGINEER: C.Tao 15/09/17 APPROVED : W.Qiang 15/09/17	TITLE: RF Coaxial Connector SMA Female Flange Conn. Terminal	 www.trl-rf.com
TOLERANCES UNLESS OTHERWISE SPECIFIED X ±0.50 .X ±0.20 .XX ±0.10 ANGLES ±1°	 DIMENSION IN MILLIMETERS (mm)	
PART NO: SMA-KPD1021	SIZE: A4	SCALE: N/A SHEET: 1/1 REV: A