

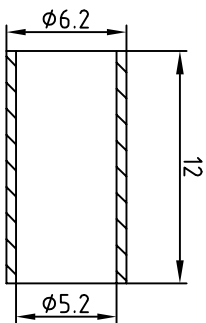
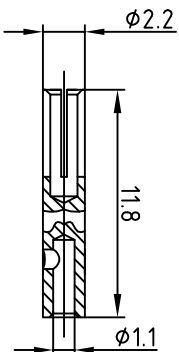
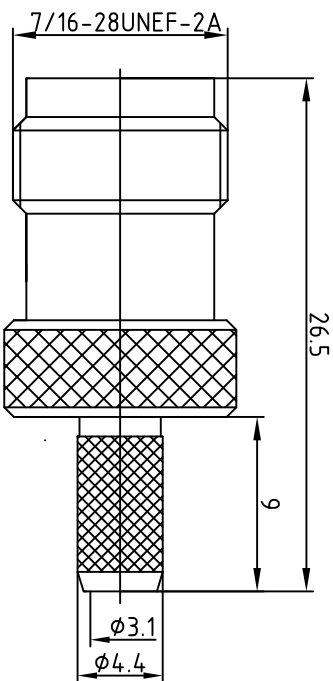
This document contains proprietary information and such information may not be disclosed to others for any purposes, not used for sales/marketing/procurement purposes without written permission

REV	DESCRIPTION OF REVISION	ECN NO.	BY	DATE	APPROVED
A	Initial Release		T.Holjun	26/02/09	26/02/09

- 1 Electrical**
- 1.1 Impedence: 50Ω
 - 1.2 Frequency: DC~11GHz
 - 1.3 Dielectric withstanding voltage: 1500V(volts RMS)
 - 1.4 Center contact resistance: ≤ 1.5MΩ
 - 1.5 Outer contact resistance: ≤ 0.2MΩ
 - 1.6 Insulation resistance: ≥5000MΩ



- 2 Environmental&Mechanical**
- 2.1 Temperature range: -40℃~+70℃
 - 2.2 RoHS Compliant
 - 2.3 Durability: >500 cycles

- 3 Materials&plating**
- 3.1 Body: Brass, Nickel plated
 - 3.2 Insulator: Teflon
 - 3.3 Contact Pin: Phosphor Bronze, Gold plated
 - 3.4 Ferrule: Copper, Nickel plated



Notes:

- 1. ALL SPECIFICATIONS ARE SUBJECT TO CHANGE NOTICE AT ANY TIME
- 2. CUSTOMER OUTLINE DRAWING FOR REFERENCE ONLY

DRAWN: T.Holjun 26/02/09	TITLE:	 www.trel.com.cn
ENGINEER: C.Too 26/02/09	TNC-K5Y	
APPROVED: W.Qiang 26/02/09	TNC Female Conn. For RG58	 DIMENSION IN MILLIMETERS (mm)
TOLERANCES UNLESS OTHERWISE SPECIFIED	Cable Crimp	
X ±0.30	PART NO: TRL-TNC2528504	SIZE: A4
X ±0.20		SCALE: N/A
XX ±0.10		SHEET: 1/1
ANGLES 3°		REV: A