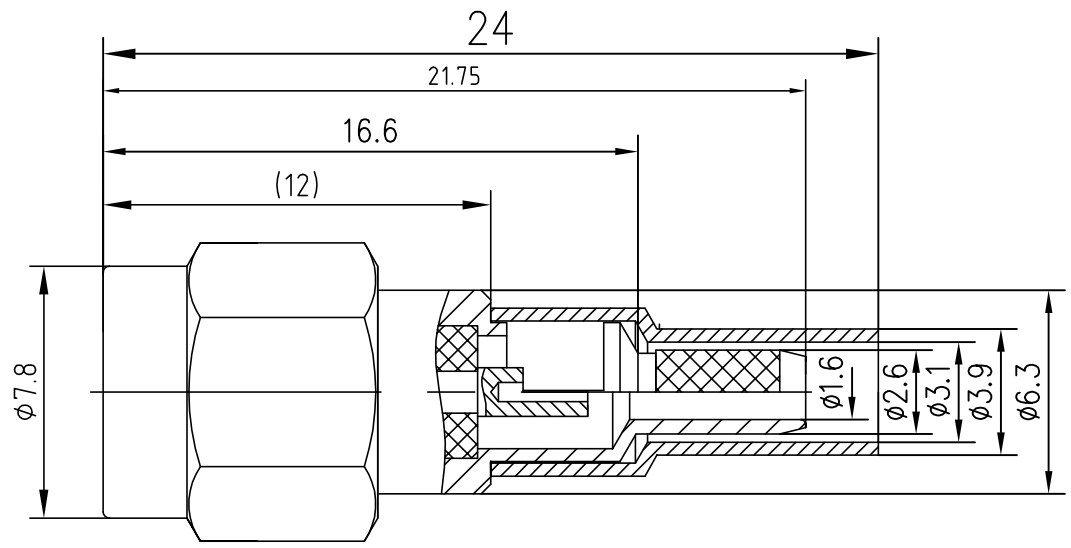


1 2 3 4

A

A



B

B

C

C

1 Electrical

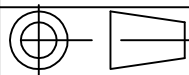
- 1.1 Impedance: 50Ω
- 1.2 Working voltage: ≤335V
- 1.3 Insulation resistance: ≥5000MΩ
- 1.4 Dielectric strength: 1000V
- 1.5 Contact resistance
 - Center contact ≤ 3MΩ
 - Outer contact ≤ 2.5MΩ

2 Material&Finish

- 2.1 Inner Contact: gold plated over Brass
- 2.2 Outer Contact: gold plated over brass.
- 2.3 Insulators: Teflon

D

D



Scale	
1:1	
Name	Date
Designed TomsonTang	24-Oct-08
Checked Jason Cai	24-Oct-08
Approved Teresa Shen	24-Oct-08

SMA-J3C
SMA male conn. for RG316
cable (sky window)

UNLESS OTHERWISE SPECIFIED
DIMENSIONS ARE mm, TOLERANCES ARE:
FRACTIONS DECIMALS ANGLES
.X± .15 ±1°
.XX± .05
.XXX±

Xi'an T-RELY ELECTRONICS CO., LTD.