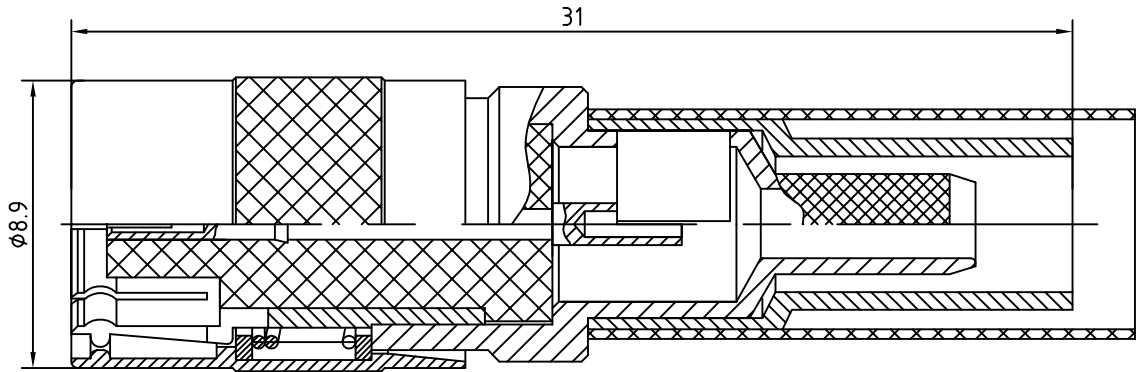


TRL110916F



Notes:

Electrical characteristics

1. Impedance: 75Ω

2. Working voltage: $\leq 500V$

3. Insulation resistance: $\geq 1000M\Omega$

4. Dielectric withstanding voltage: $1000V$

5. Contact resistance

Center contact $\leq 6M\Omega$

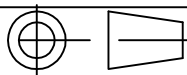
Outer contact $\leq 2M\Omega$

Material&Finish

Inner Contact: gold plated over Beryllium copper

Outer Contact: nickel plated over brass.

Insulators: Teflon



Scale

1:1

Name

Date

Designed

Tomson

24-Oct-10

Checked

Jason

24-Oct-10

Approved

Teresa

24-Oct-10

SMZ-75K3Y
RF Coaxial Connector

UNLESS OTHERWISE SPECIFIED
DIMENSIONS ARE mm, TOLERANCES ARE:
FRACTIONS DECIMALS ANGLES

.X \pm .15 $\pm 1^\circ$
.XX \pm .05
.XXX \pm

Xi'an T-RELY ELECTRONICS CO., LTD.