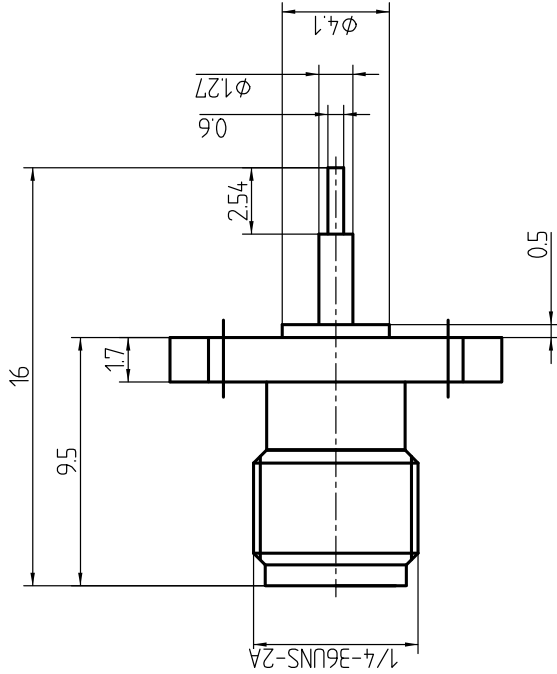


This document contains proprietary information and such information may not be disclosed to others for any purposes, not used for sales/marketing/procurement purposes without written permission

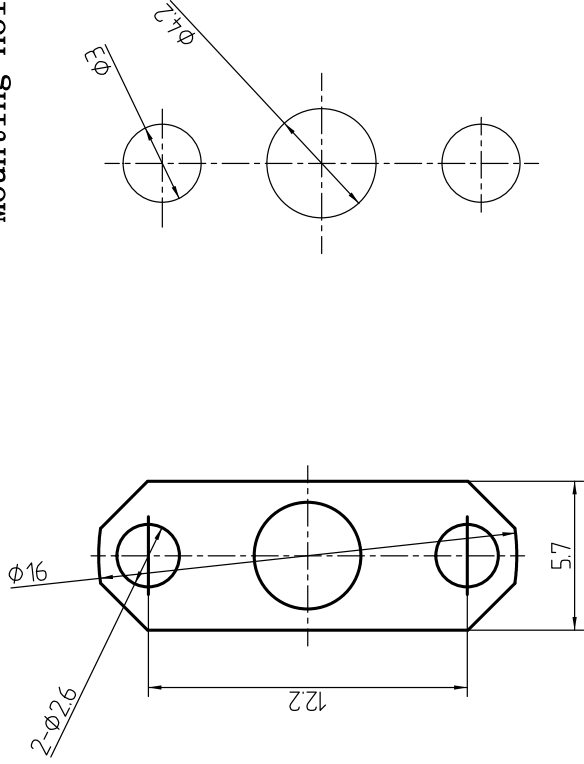


1. Electrical
- 1.1 Impedance 50 Ω
 - 1.2 Frequency DC ~6GHz
 - 1.3 Dielectric withstanding voltage 1000V (volts RMS)
 - 1.4 Center contact resistance ≤ 3MΩ
 - 1.5 Outer contact resistance ≤ 2MΩ
 - 1.6 Insulation resistance: ≥ 5000MΩ
 - 1.7 VSWR 1.2max

2. Environmental & Mechanical
- 2.1 Temperature range -45°C ~ 85°C
 - 2.2 RoHS Compliant
 - 2.3 Durability > 500 cycles

3. Materials & Plating
- 3.1 Body: Brass, Gold plated
 - 3.2 Insulator: Teflon
 - 3.3 Contact Pin: Beryllium-copper • Gold plated

Mounting Hole



REV	DESCRIPTION OF REVISION	ECN NO.	BY	DATE	APPROVED
A	Initial Release		T. Haiyuu	15/09/17	15/09/17

DRAWN : T. Haiyuu 15/09/17		TITLE: RF Coaxial Connector	
ENGINEER: C. Tao 15/09/17		SMA Female Flange Conn. Terminal	
APPROVED : W. Qiang 12/07/08		PART NO: SMA-KFD1032	
TOLERANCES UNLESS OTHERWISE SPECIFIED		SCALE: N/A	
X ±0.50		SIZE: A4	SHEET: 1/1
.X ±0.20			REV: A
.XX ±0.10			
ANGLES ±1°			



www.cabl.com

DIMENSION IN MILLIMETERS (mm)

REVISION HISTORY

