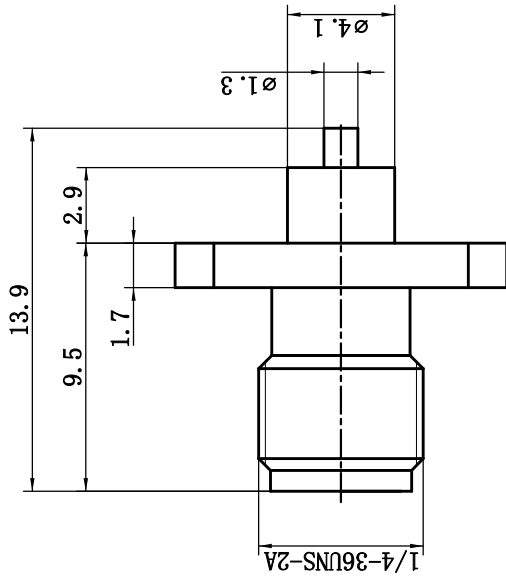
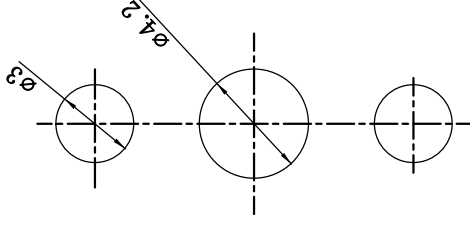
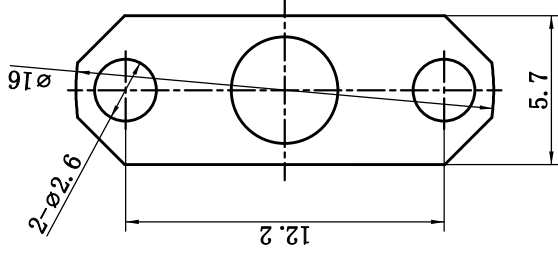


This document contains proprietary information and such information may not be disclosed to others for any purposes, not used for sales/marketing/promotion purposes without written permission



- 1 Electrical
 - 1.1 Impedance 50 Ω
 - 1.2 Frequency DC~6GHz
 - 1.3 VSWR 1.30: 1
- 2 Environmental&Mechanical
 - 2.1 Temperature range -45°C~125°C
 - 2.2 RoHS Compliant
 - 2.3 Durability >500 cycles
- 3 Materials&plating
 - 3.1 Body: Brass, Gold plated
 - 3.2 Insulator: Teflon
 - 3.3 Contact Pin: Bronze, Gold plated

Mounting Hole



REV	DESCRIPTION OF REVISION	ECN NO.	BY	DATE	APPROVED
A	Initial Release		T. Haiyun	15/09/17	15/09/17

DRAWN: T. Haiyun 15/09/17 ENGINEER: C. Tao 15/09/17 APPROVED: W. Qiang 12/07/08 TOLERANCES UNLESS OTHERWISE SPECIFIED X ±0.50 .X ±0.20 .XX ±0.10 ANGLES ±1°	TITLE: RF Coaxial Connector SMA Female Flange Mount Connector	www.rf-connector-china.com DIMENSION IN MILLIMETERS (mm)
PART NO: SMA-KFD1057	SCALE: N/A	SHEET: 1/1 REV: A

Notes:
 1. ALL SPECIFICATIONS ARE SUBJECT TO CHANGE NOTICE AT ANY TIME
 2. CUSTOMER OUTLINE DRAWING FOR REFERENCE ONLY