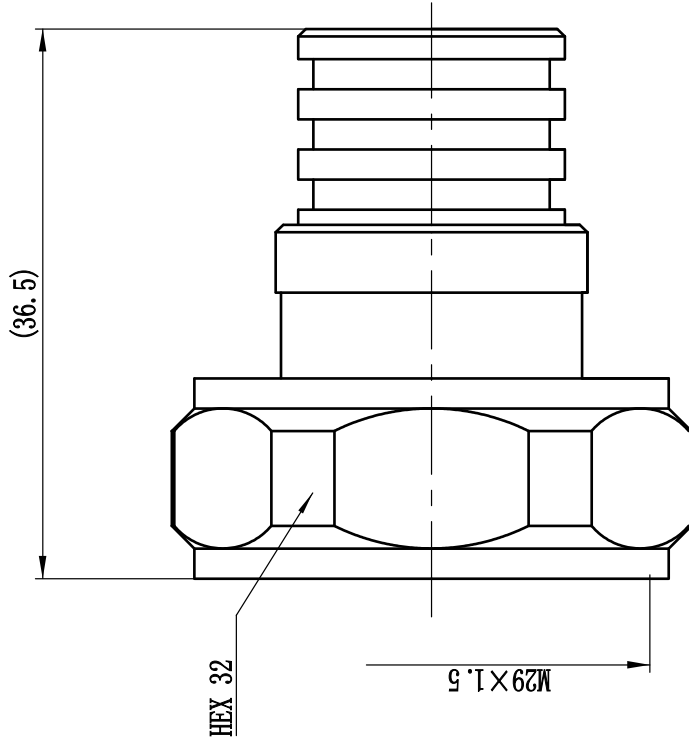


This document contains proprietary information and such information may not be disclosed to others for any purposes, not used for sales/marketing/procurement purposes without written permission

- 1 Electrical
 - 1.1 Impedence 50 Ω
 - 1.2 Frequency DC ~6GHz
 - 1.3 Dielectric withstanding voltage 1000V(volts RMS)
 - 1.4 Center contact resistance $\leq 3M\Omega$
 - 1.5 Outer contact resistance $\leq 2M\Omega$
 - 1.6 Insulation resistance: $\geq 5000M\Omega$
 - 1.7 Power $\leq 2W$
 - 1.8 VSWR 1.25:1
- 2 Environmental & Mechanical
 - 2.1 Temperature range -45 $^{\circ}$ C ~ +125 $^{\circ}$ C
 - 2.2 RoHs Compliant
 - 2.3 Durability >500 cycles
- 3 Materials & Plating
 - 3.1 Body: Brass, Nickel plated
 - 3.2 Insulator: Teflon
 - 3.3 Contact Pin: Bronze, gold plated
 - 3.4 Coupling Nut: Brass, Nickel plated



Notes:

- 1. ALL SPECIFICATIONS ARE SUBJECT TO CHANGE NOTICE AT ANY TIME
- 2. CUSTOMER OUTLINE DRAWING FOR REFERENCE ONLY

REV	DESCRIPTION OF REVISION	BY	DATE	APPROVED
A	Initial Release	T. Haiym	12/1/12	12/1/12

DRAWN: T. Haiym 12/1/12		TITLE: RF TERMINATION	
ENGINEER: C. Tao 12/1/12		www.conradcothra.com	
APPROVED: T. Haiym 12/1/12		DIMENSION IN MILLIMETERS (mm)	
TOLERANCES UNLESS OTHERWISE SPECIFIED		SIZE: A4	
X ±0.50		SCALE: N/A	SHEET: 1/1
.X ±0.20			REV: A
.XX ±0.10			
ANGLES ±°			
PART NO: Din-50JF-5		L29/Din Male Conn. Termination 5 Watts	