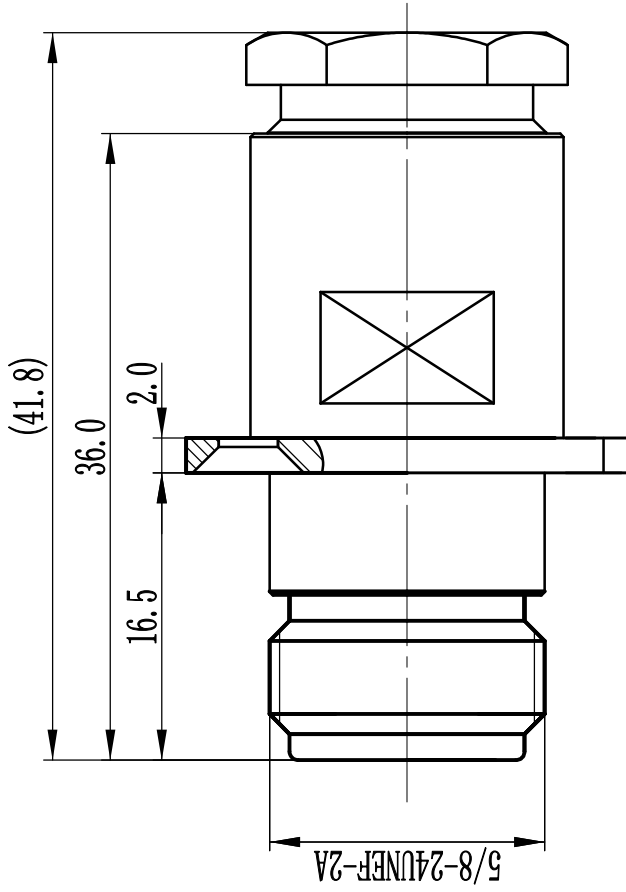


This document contains proprietary information and such information may not be disclosed to others for any purposes, not used for sales/marketing/procurement purposes without written permission



- 1. Electrical
- 11 Impedance: 50 Ω
- 12 Frequency: 0~6GHz
- 13 Dielectric withstanding voltage: 1500V(watts RMS)
- 14 Center contact resistance: $\leq 1\text{m}\Omega$
- 15 Outer contact resistance: $\leq 0.2\text{m}\Omega$
- 16 Insulation resistance: $\geq 5000\text{M}\Omega$
- 17 VSWR: 1.20@3GHz

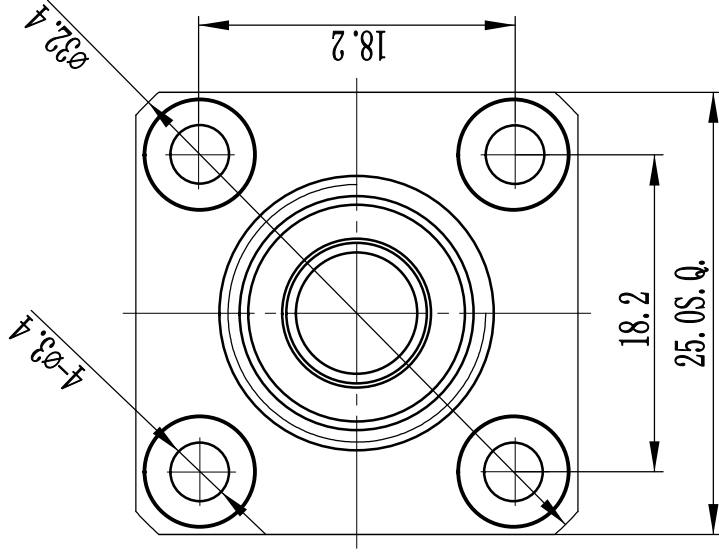
- 2. Environmental & Mechanical
- 2.1 Temperature range: $-45^{\circ}\text{C} \sim 85^{\circ}\text{C}$
- 2.2 RoHS Compliant
- 2.3 Durability: >500 cycles

- 3. Materials & Plating
- 3.1 Body: Brass, nickel plated
- 3.2 Insulator: Teflon
- 3.3 Contact Pin: Bronze, Gold plated
- 3.4 O-Ring: Silicon Rubber

Notes:

- 1. ALL SPECIFICATIONS ARE SUBJECT TO CHANGE NOTICE AT ANY TIME
- 2. CUSTOMER OUTLINE DRAWING FOR REFERENCE ONLY

REV	DESCRIPTION OF REVISION	ECN NO.	BY	DATE	APPROVED
A	Initial Release		T. Shihua	07/04/16	07/04/16



DRAWN: T. Shihua 07/04/16

ENGINEER: C. Tao 07/04/16

APPROVED: W. Qiang 07/04/16

TOLEANCES UNLESS OTHERWISE SPECIFIED
 X +0.50
 .X +0.20
 .XX +0.10
 ANGLES ° ±°

TITLE:
 RF Coaxial Connector
 N female Flange Conn. For
 LMR400 Cable Clamp

PART NO: N-KF400A

SIZE: A4

SCALE: N/A

SHEET: 1/1

REV: A



www.rf-connector-china.com



DIMENSION IN MILLIMETERS (mm)

4

3

2

1

4

3

2

1

B

B

A