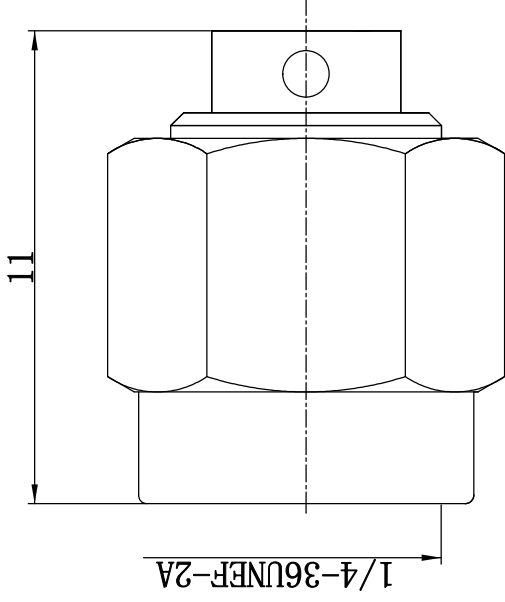


This document contains proprietary information and such information may not be disclosed to others for any purposes, not used for sales/marketing/procurement purposes without written permission

- 1 Electrical
 - 1.1 Impedence 50 Ω
 - 1.2 Frequency DC ~18GHz
 - 1.3 VSWR 1.30:1
- 2 Environmental&Mechanical
 - 2.1 Temperature range -45 °c ~ +125 °c
 - 2.2 RoHS Compliant
 - 2.3 Durability >500 cycles
- 3 Materials&plating
 - 3.1 Body: Brass, Gold Plated
 - 3.2 Insulator: Teflon,
 - 3.3 Contact Pin: Brass, Gold plated
 - 3.4 Nut: Brass, Gold Plated
 - 3.5 Gasket: Silicon Rubber (red color)



Notes:

1. ALL SPECIFICATIONS ARE SUBJECT TO CHANGE NOTICE AT ANY TIME
2. CUSTOMER OUTLINE DRAWING FOR REFERENCE ONLY

REV	DESCRIPTION OF REVISION	ECN NO.	BY	DATE	APPROVED
A	Initial Release		T. Haiyun	18/3/11	18/3/11

DRAWN: T. Haiyun 18/3/11	TITLE:	
ENGINEER: C. Tao 18/3/11	RF Coaxial Connector	
APPROVED: W. Qiang 18/3/11	SMA Male Conn. for .086/SS405 Cable	
TOLERANCES UNLESS OTHERWISE SPECIFIED	DIMENSION IN MILLIMETERS (mm)	
X +0.50	SCHEMATIC	
X +0.20	SIZE: A4	
XX +0.10	SCALE: N/A	
ANGLES *°	SHEET: 1/1	
	REV: A	



www.rf-connector-china.com



DIMENSION IN MILLIMETERS (mm)

SIZE: A4 SCALE: N/A SHEET: 1/1 REV: A

PART NO: SMA-JB2A