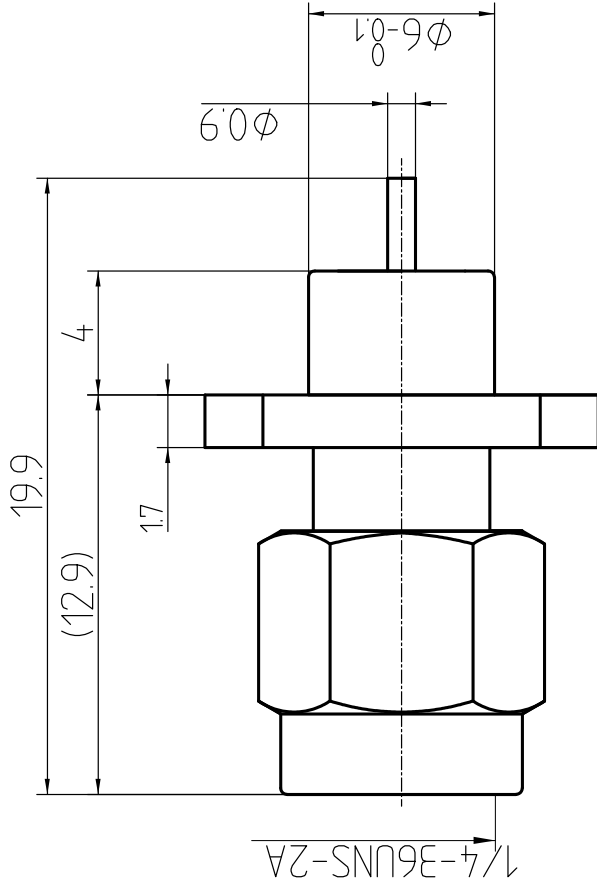
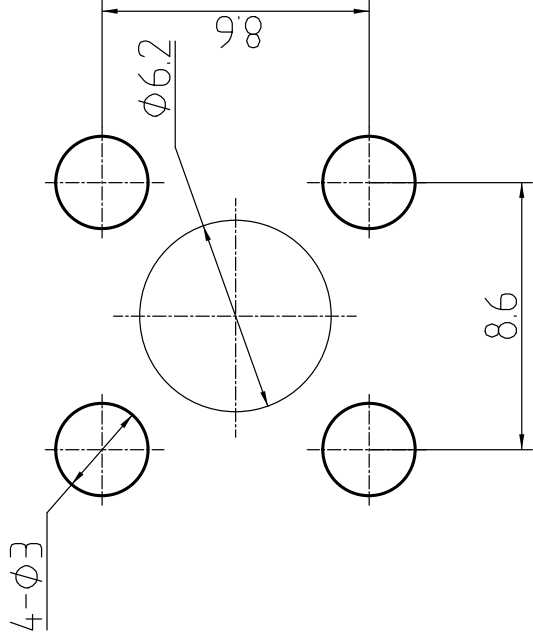


This document contains proprietary information and such information may not be disclosed to others for any purposes, not used for sales/marketing/procurement purposes without written permission

REV	DESCRIPTION OF REVISION	ECN NO.	BY	DATE	APPROVED
A	Initial Release		T. Haiyuu	5/11/14	5/11/14

Mounting Hole



1 Electrical

- 1.1 Impedance 50 Ω
- 1.2 Frequency 0~6GHz
- 1.3 Dielectric withstanding voltage 1000V (volts RMS)
- 1.4 Center contact resistance $\leq 3M\Omega$
- 1.5 Outer contact resistance $\leq 2M\Omega$
- 1.6 Insulation resistance: $\geq 5000M\Omega$
- 1.2:1

2 Environmental&Mechanical

- 2.1 Temperature range -45°C~85°C
- 2.2 RoHs Compliant YES
- 2.3 Durability >500 cycles

3 Materials&plating

- 3.1 Body: Brass; Gold, plated
- 3.2 Insulator: Teflon
- 3.3 Contact Pin: Brass; Gold,plated

Notes:

- 1. ALL SPECIFICATIONS ARE SUBJECT TO CHANGE NOTICE AT ANY TIME
- 2. CUSTOMER OUTLINE DRAWING FOR REFERENCE ONLY

DRAWN : T. Haiyuu 5/11/14

ENGINEER: C. Tao 5/11/14

APPROVED : W. Qiang 5/11/14

TOLEANCES UNLESS OTHERWISE SPECIFIED
 X ±0.50
 .X ±0.20
 .XX ±0.10
 ANGLES °

TITLE:

RF Coaxial Connector

SMA male Flange Connector Terminal



www.terulilai.com



DIMENSION IN MILLIMETERS (mm)

PART NO: SMA-JFD12

SIZE: A4

SCALE: N/A

SHEET: 1/1

REV: A