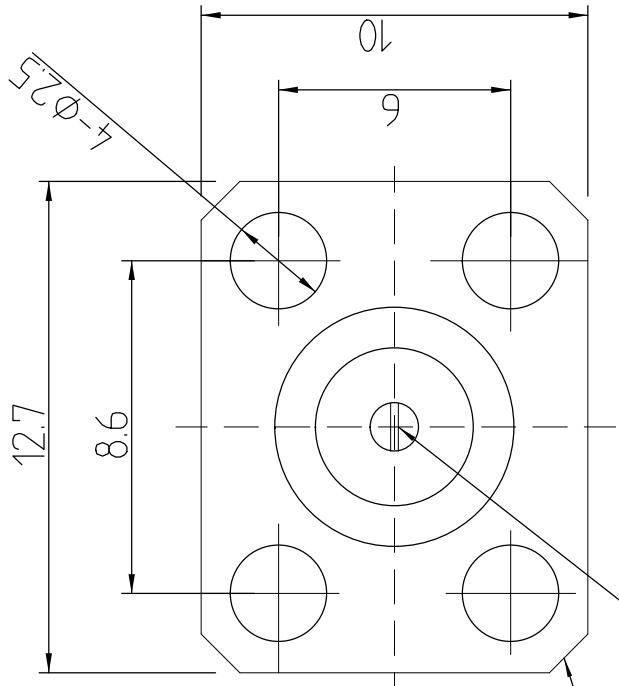
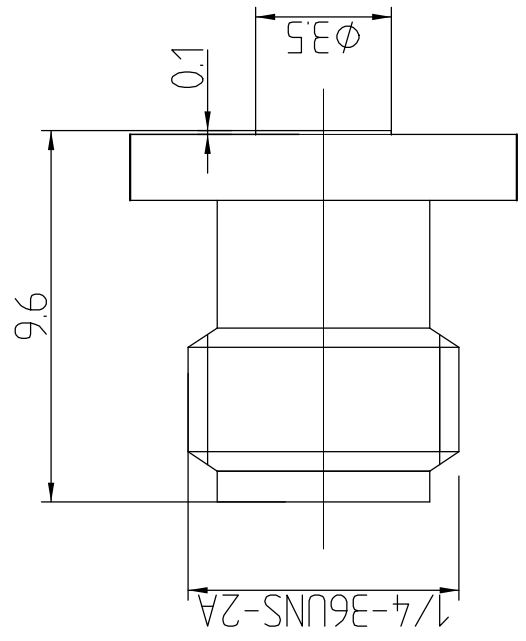


This document contains proprietary information and such information may not be disclosed to others for any purposes, not used for sales/marketing/procurement purposes without written permission

REV	DESCRIPTION OF REVISION	ECN NO.	BY	DATE	APPROVED
A	Initial Release		T.HoYun	07/04/16	07/04/16



开槽 $0.2^{+0.05}$ 深2.5  
收口后尺寸要求0.15-0.18

1 电气性能

- 1.1 特性阻抗 50 Ω
- 1.2 频率 DC ~18GHz
- 1.3 介质耐压 1000V
- 1.4 中心导体电阻  $\leq 3M\Omega$
- 1.5 外导体电阻  $\leq 2M\Omega$
- 1.6 绝缘电阻  $\geq 5000M\Omega$
- 1.7 VSWR  $\leq 1.25@10G$

2 材料及涂覆

- 2.1 外壳: 黄铜, 镀金
- 2.2 绝缘子: teflon
- 2.3 内导体: 镀青铜, 镀金

Notes:

- 1. ALL SPECIFICATIONS ARE SUBJECT TO CHANGE NOTICE AT ANY TIME
- 2. CUSTOMER OUTLINE DRAWING FOR REFERENCE ONLY

DRAWN: T.HoYun 07/04/16	TITLE:
ENGINEER: C.Tao 07/04/16	射频频轴连接器
APPROVED: W.Qiang 07/04/16	
TOLERANCES UNLESS OTHERWISE SPECIFIED	
X $+0.20$	
XX $+0.10$	
ANGLES $45^\circ$	

		www.terulilai.com	
		DIMENSION IN MILLIMETERS (mm)	
SIZE: A4	SCALE: N/A	SHEET: 1/1	REV: A
PART NO: SMA-KFD1055			