

This document contains proprietary information and such information may not be disclosed to others for any purposes, not used for sales/marketing/procurement purposes without written permission

REV	DESCRIPTION OF REVISION	ECN NO.	BY	DATE	APPROVED
A	Initial Release	—	T.Haiyun	15/08/17	15/08/17

1 Electrical

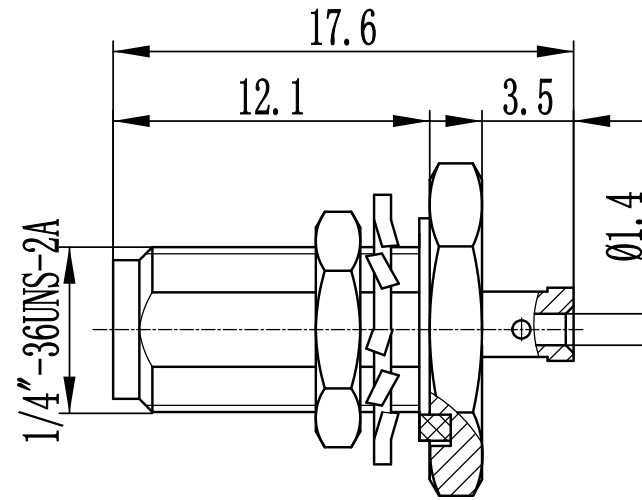
- 1.1 Impedence 50 Ω
- 1.2 Frequency 0~6GHz
- 1.2 Dielectric withstanding voltage 1000V(volts RMS)
- 1.3 Center contact resistance ≤ 3MΩ
- 1.4 Outer contact resistance ≤ 2MΩ
- 1.5 Insulation resistance: ≥ 5000MΩ

2 Environmental&Mechanical

- 2.1 Temperature range -45℃~85℃
- 2.2 RoHs Compliant
- 2.3 Durability >500 cycles


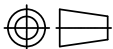
3 Materials&plating

- 3.1 Body: Brass; Gold, plated
- 3.2 Insulator: Teflon
- 3.3 Contact Pin: Brass; Gold,plated
- 3.4 O-ring: Silicon rubber(red color)



Notes:

- 1. ALL SPECIFICATIONS ARE SUBJECT TO CHANGE NOTICE AT ANY TIME
- 2. CUSTOMER OUTLINE DRAWING FOR REFERENCE ONLY

DRAWN : T.Haiyun 15/08/17 ENGINEER: C.Tao 15/08/17 APPROVED : W.Qiang 15/08/17	TITLE: <b>RF Coaxial Connector</b>  SMA Female B/H Conn. for 1.37mm Cable	   DIMENSION IN MILLIMETERS (mm)
TOLERANCES UNLESS OTHERWISE SPECIFIED X ±0.50 .X ±0.20 .XX ±0.10 ANGLES ±1°	PART NO: <b>SMA-KY1.32</b>	SIZE: A4 SCALE: N/A SHEET: 1/1 REV: A