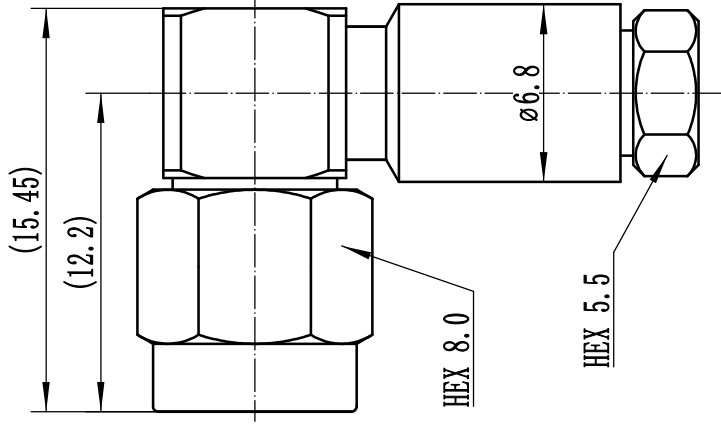
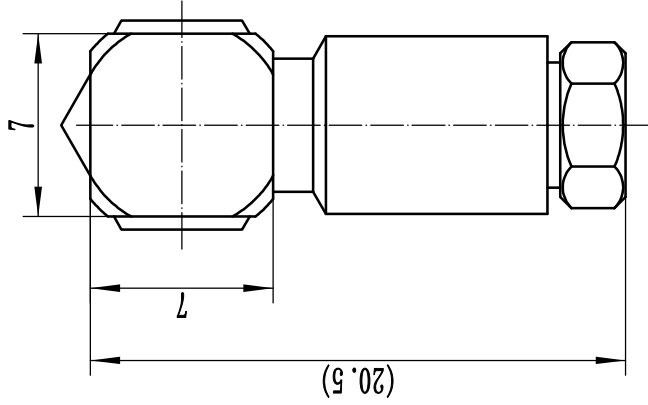


This document contains proprietary information and such information may not be disclosed to others for any purposes, not used for sales/marketing/procurement purposes without written permission

- 1 Electrical
- 1.1 Impedance 50 Ω
  - 1.2 Dielectric withstanding voltage 1000V(watts RMS)
  - 1.3 Center contact resistance ≤ 3MΩ
  - 1.4 Outer contact resistance ≤ 2MΩ
  - 1.5 Insulation resistance: ≥5000MΩ
  - 1.6 Frequency 0~3GHz

- 2 Environmental&Mechanical
- 2.1 Temperature range -45℃~125℃
  - 2.2 RoHS Compliant
  - 2.3 Durability >500 cycles

- 3 Materials&plating
- 3.1 Body: Brass, Gold Plated
  - 3.2 Insulator: Teflon
  - 3.3 Contact Pin: Brass., Gold Plated
  - 3.4 Washer: Phosphor, Gold Plated
  - 3.5 Hex Nut: Brass, Gold Plated





Notes:

- 1. ALL SPECIFICATIONS ARE SUBJECT TO CHANGE NOTICE AT ANY TIME
- 2. CUSTOMER OUTLINE DRAWING FOR REFERENCE ONLY

REV	DESCRIPTION OF REVISION	ECN NO.	BY	DATE	APPROVED
A	Initial Release		T. Shihua	12/7/13	12/7/13

DRAWN: T. Shihua 12/07/13
ENGINEER: C. Tao 12/07/13
APPROVED: W. Qiang 12/07/13
TOLERANCES UNLESS OTHERWISE SPECIFIED
X +0.50
.X +0.20
XX +0.10
ANGLES *°

TITLE:	
RF Coaxial Connector	
SMA Male R/A Conn. For RG316	
Cable Clamp	
PART NO: SMA-JYFA	

 <a href="http://www.rf-connector-china.com">www.rf-connector-china.com</a>	
 DIMENSION IN MILLIMETERS (mm)	SCALE: N/A SHEET: 1/1 REV: A