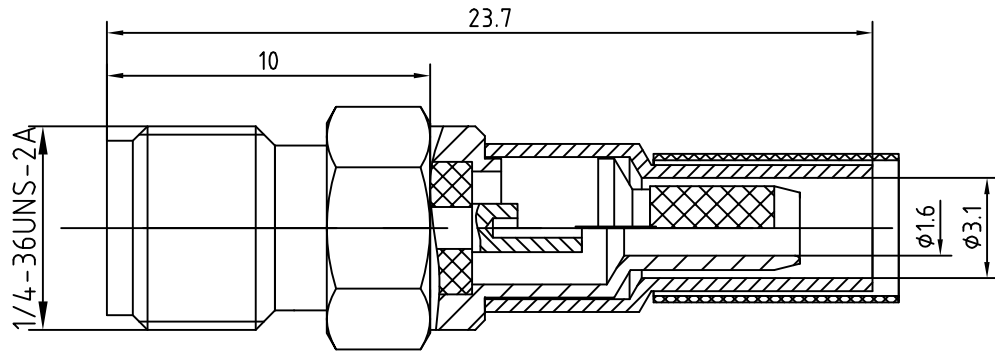


TRL120718

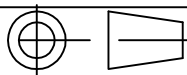


1 Electrical

1. Impedance:  $50\Omega$
2. Working voltage:  $\leq 335V$
3. Insulation resistance:  $\geq 5000M\Omega$
4. Dielectric strength:  $1000V$
5. Contact contact resistance  $\leq 3M\Omega$
6. Outer contact resistance  $\leq 2.5M\Omega$

2 Material&Finish

1. Inner Contact: Beryllium copper, gold plated
2. Outer Contact: Brass, gold plated
3. Insulators: Teflon



Scale

1:1

Name	Date
Designed Tomson	18-Jul-12
Checked Jason	18-Jul-12
Approved Teresa	18-Jul-12

Designed

Tomson

18-Jul-12

Checked

Jason

18-Jul-12

Approved

Teresa

18-Jul-12

SMA-K3C

SMA female connector  
for RG316 cable

UNLESS OTHERWISE SPECIFIED  
DIMENSIONS ARE mm, TOLERANCES ARE:  
FRACTIONS DECIMALS ANGLES

.X ± .15 ±1°  
.XX ± .05  
.XXX ±

Xi'an T-RELY ELECTRONICS CO., LTD.