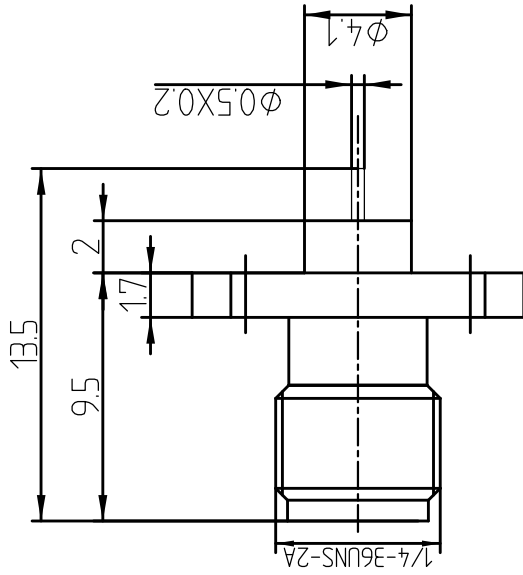


This document contains proprietary information and such information may not be disclosed to others for any purposes, not used for sales/marketing/procurement purposes without written permission



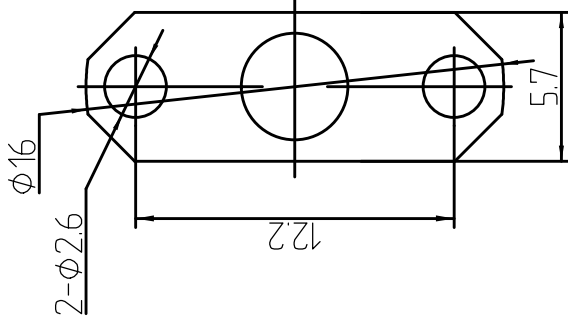
1. Electrical
  - 1.1 Impedance  $50 \Omega$
  - 1.2 Frequency DC ~ 3GHz
  - 1.2 Dielectric withstanding voltage 1000V (volts RMS)
  - 1.3 Center contact resistance  $\leq 3M \Omega$
  - 1.4 Outer contact resistance  $\leq 2M \Omega$
  - 1.5 Insulation resistance:  $\geq 5000M \Omega$
  - 1.6 VSWR 1.2max

2. Environmental & Mechanical
  - 2.1 Temperature range  $-45^{\circ}C \sim 85^{\circ}C$
  - 2.2 RoHS Compliant
  - 2.3 Durability  $> 500$  cycles

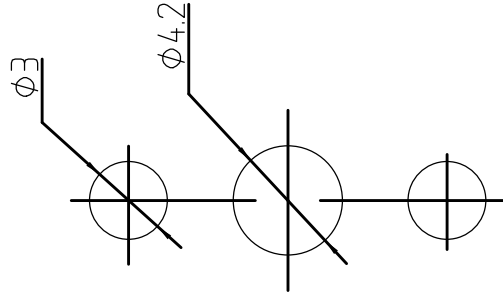
3. Materials & Plating
  - 3.1 Body: Brass, Gold plated
  - 3.2 Insulator: Teflon
  - 3.3 Contact Pin: Beryllium-copper • Gold plated

**Notes:**

1. ALL SPECIFICATIONS ARE SUBJECT TO CHANGE NOTICE AT ANY TIME
2. CUSTOMER OUTLINE DRAWING FOR REFERENCE ONLY



**Mounting Hole**



REV	DESCRIPTION OF REVISION	ECN NO.	BY	DATE	APPROVED
A	Initial Release		T. Haiyum	15/09/17	15/09/17

DRAWN: T. Haiyum 15/09/17		TITLE: RF Coaxial Connector	
ENGINEER: C. Tao 15/09/17		SMA Female Flange Conn. Terminal	
APPROVED: W. Qiang 12/07/08		PART NO: SMA-KFD21B	
TOLERANCES UNLESS OTHERWISE SPECIFIED		SCALE: N/A	
X $\pm 0.50$	XX $\pm 0.20$	SIZE: A4	SHEET: 1/1
XX $\pm 0.10$	ANGLES $\neq 1^{\circ}$		REV: A
		DIMENSION IN MILLIMETERS (mm)	
www.trf-f.com			