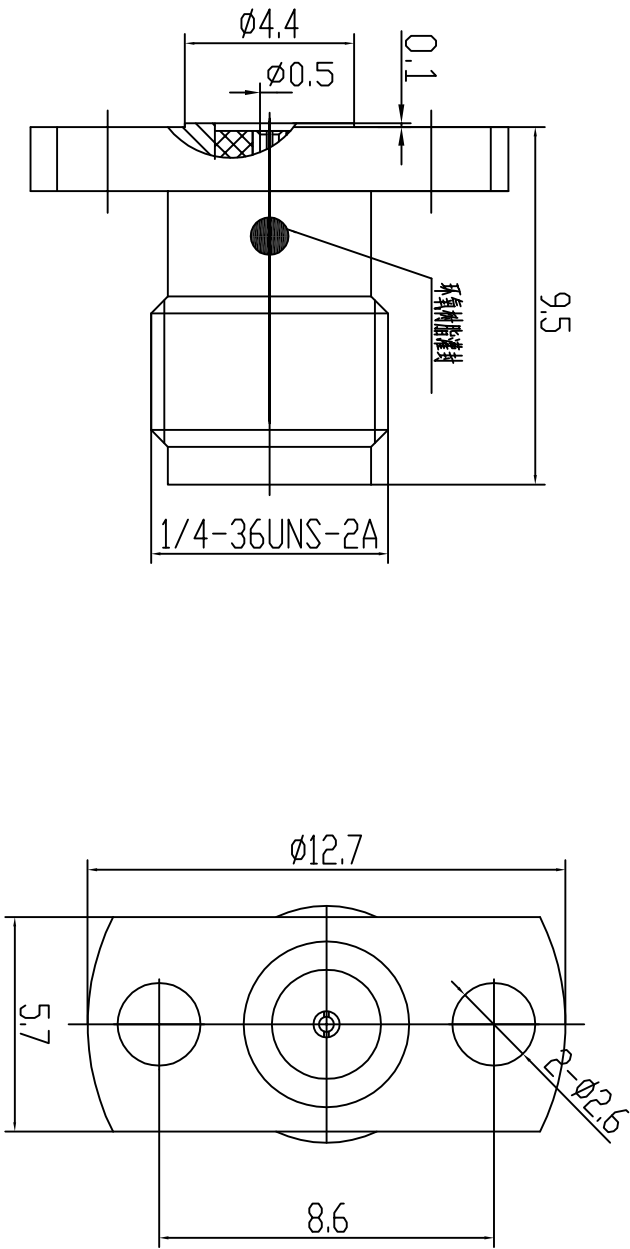


This document contains proprietary information and such information may not be disclosed to others for any purpose without written permission not used for sales/marketing/procurement purposes without written permission


REV	DESCRIPTION OF REVISION	ECN NO.	BY	DATE	APPROVED
005	Initial Release		T.Halyun	07/04/16	07/04/16



- | | | | |
|-----|------|-----|--------------|
| 1 | 电气性能 | 2 | 材料及涂覆 |
| 1.1 | 特性阻抗 | 2.1 | 外壳: 黄铜; 镀金 |
| 1.2 | 频率 | 2.2 | 绝缘子: teflon |
| 1.3 | 介质耐压 | 2.3 | 内导体: 镀青铜; 镀金 |
| 1.6 | 绝缘电阻 | | |
| 1.7 | VSWR | | |

Notes:

1. ALL SPECIFICATIONS ARE SUBJECT TO CHANGE NOTICE AT ANY TIME
2. CUSTOMER OUTLINE DRAWING FOR REFERENCE ONLY

DRAWN: T.Halyun 07/04/16	TITLE: SMA-RFD159A	 www.drtllal.com
ENGINEER: C.Tao 07/04/16	SMA Female Flange Connector Mount	
APPROVED: W.Qiang 07/04/16	PART NO: TRL-SMAF-S13S08	SIZE: A4
TOLERANCES UNLESS OTHERWISE SPECIFIED		SCALE: N/A
X .4020		SHEET: 1/1
XX .4010		REV: A
ANGLES .4°		

1 2 3 4